

FS-NCLM Insert compatible with Nucleum[©]

including the Nucleum: Australia[©] expansion



Assembly Instructions

The package contains four single sheets.

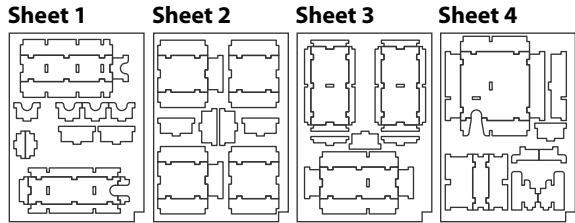
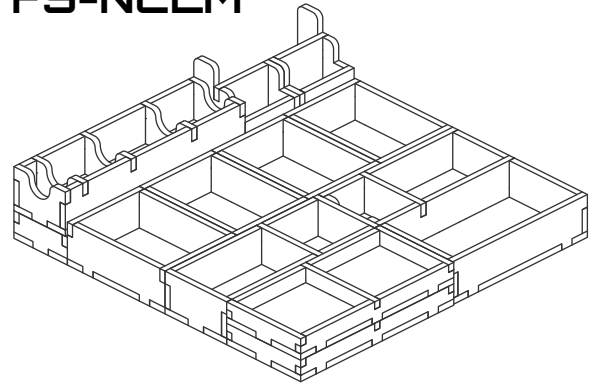
After assembly the trays are put in up to two layers in the original game box.

Ordinary PVA glue is required when assembling each tray.

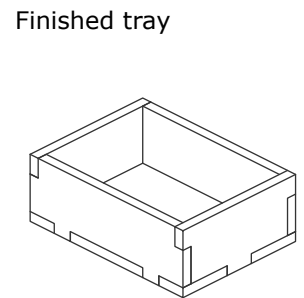
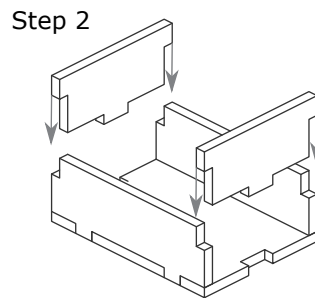
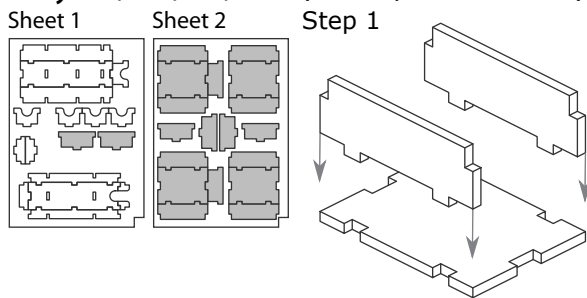
Please make sure you dry-assemble each tray correctly before gluing it together.

Please check www.foldedspace.com for general assembly tips.

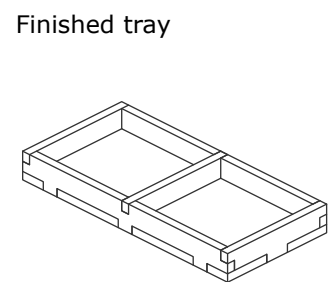
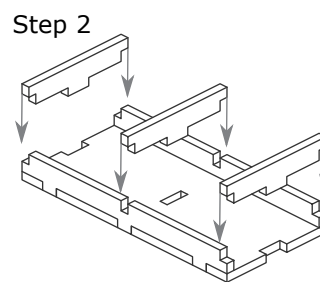
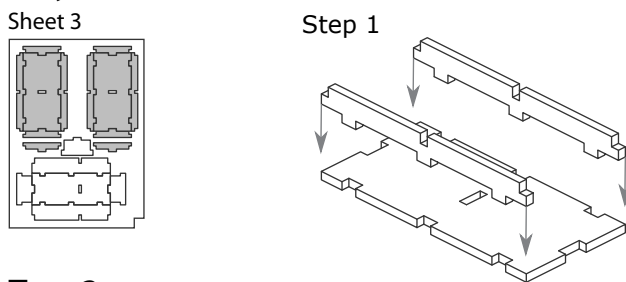
FS-NCLM



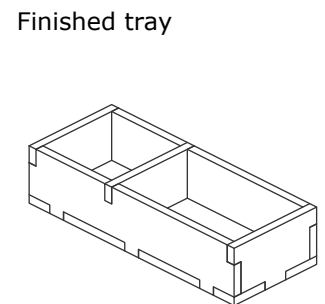
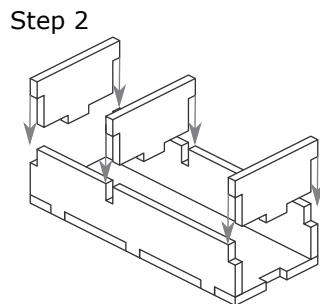
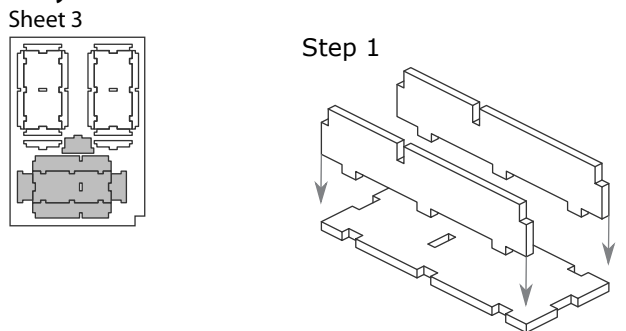
Tray 1a, 1b, 1c, 1d (the trays are identical)



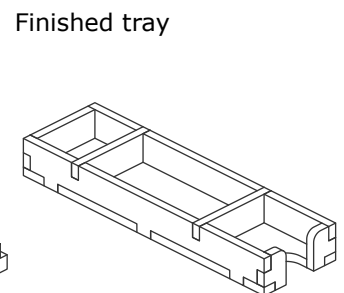
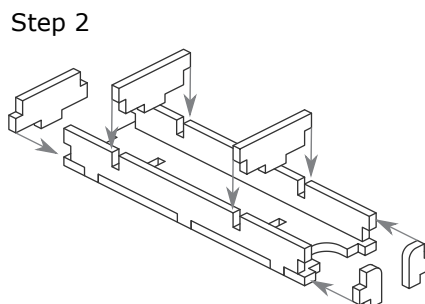
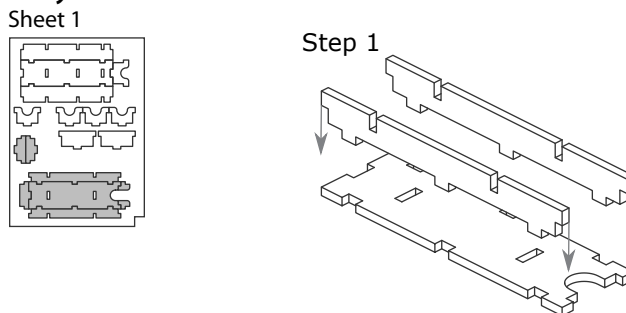
Tray 2a, 2b (the trays are identical)



Tray 3



Tray 4



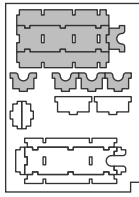
FS-NCLM Insert compatible with Nucleum[©]

including the Nucleum: Australia[©] expansion

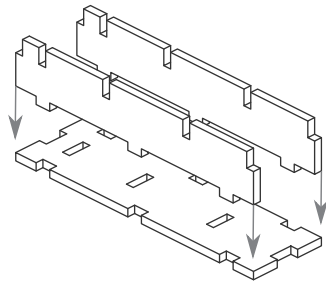


Tray 5

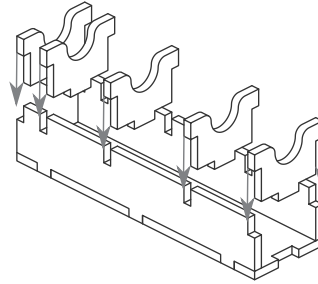
Sheet 1



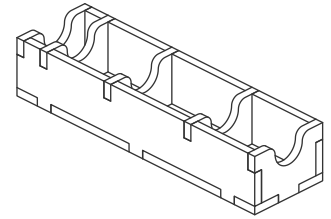
Step 1



Step 2

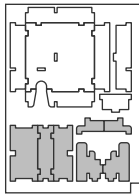


Finished tray

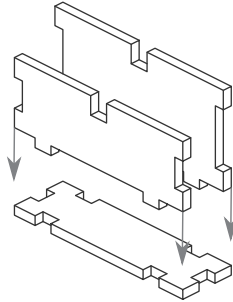


Tray 6

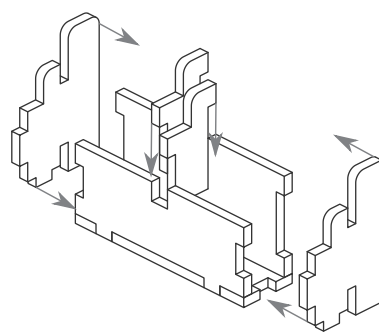
Sheet 4



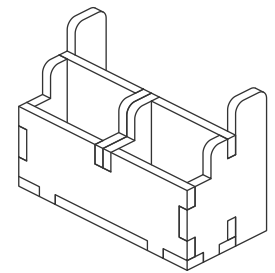
Step 1



Step 2

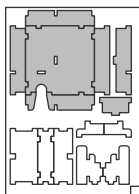


Finished Tray

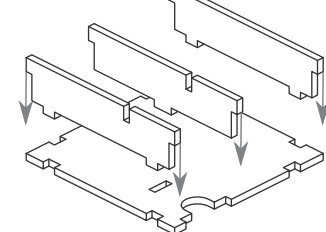


Tray 7

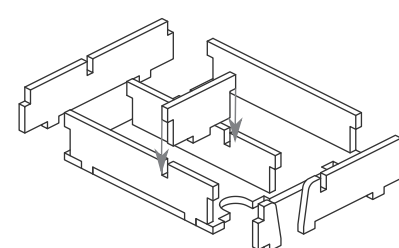
Sheet 4



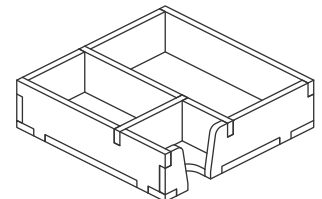
Step 1



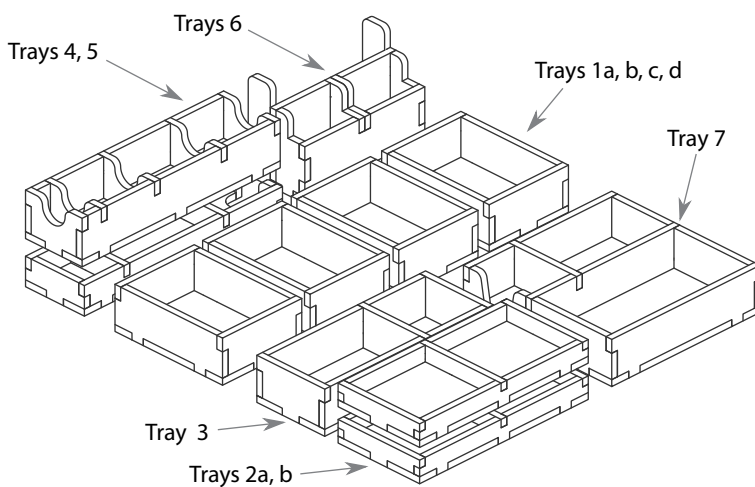
Step 2



Finished tray



FS-NCLM



Please check www.foldedspace.com for photos of this insert in use.

Tray legend

- Tray 1a, b, c, d - player trays
- Tray 2a, b - experiment tiles
- Tray 3 - thaler and achievement tokens
- Tray 4 - uranium cubes, coal import wagon tiles, and rubble & milestone tiles
- Tray 5 - contract tiles
- Tray 6 - non-base action tiles, and logic & setup cards
- Tray 7 - power plant standees, base action tiles, and neutral urban buildings, nucleum tokens, endgame condition markers, dice, VP flag token, first player marker, neutral boats & coal mine tiles

Note: when fully loaded the box has room for just one main board, either the base game board or the Australia board. If you add both to the box there will be some lid lift.