

FS-VOID Insert compatible with Voidfall[®] Retail Edition



Assembly Instructions

The package contains eight sheets: 1 double and 6 single sheets.

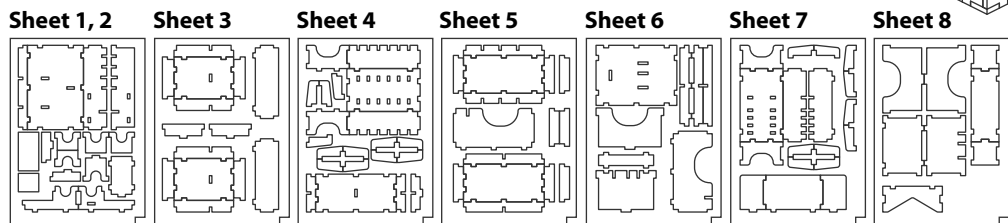
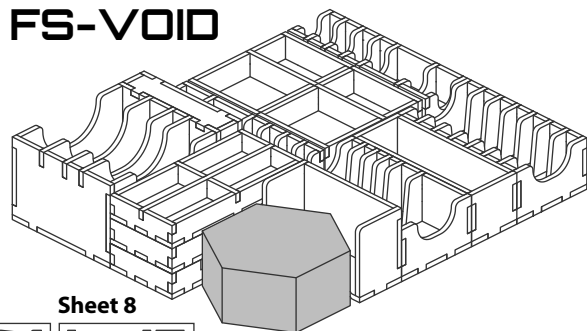
After assembly the trays are put in up to three layers in the original game box.

Ordinary PVA glue is required when assembling each tray.

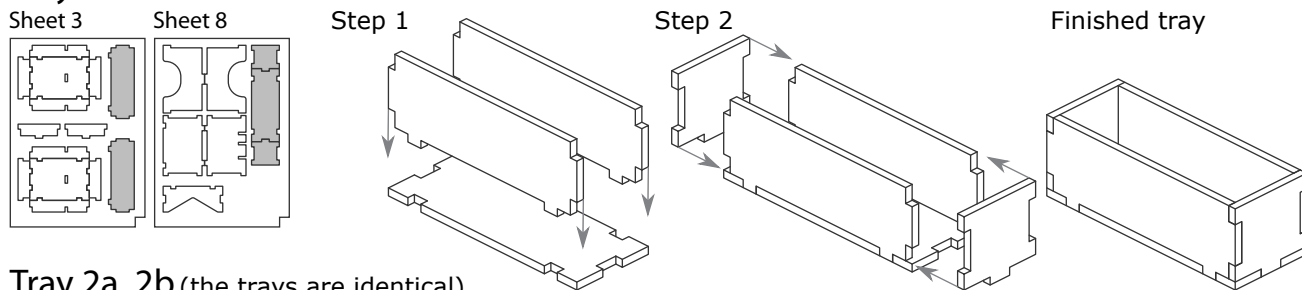
Please make sure you dry-assemble each tray correctly before gluing it together.

Please check www.foldedspace.com for general assembly tips.

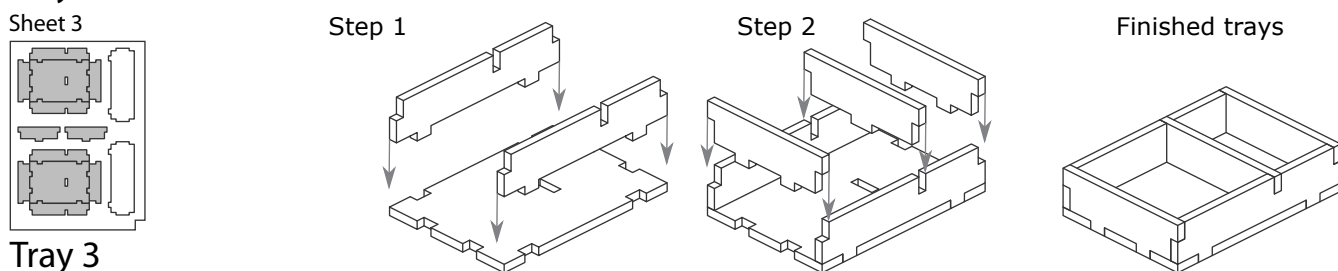
FS-VOID



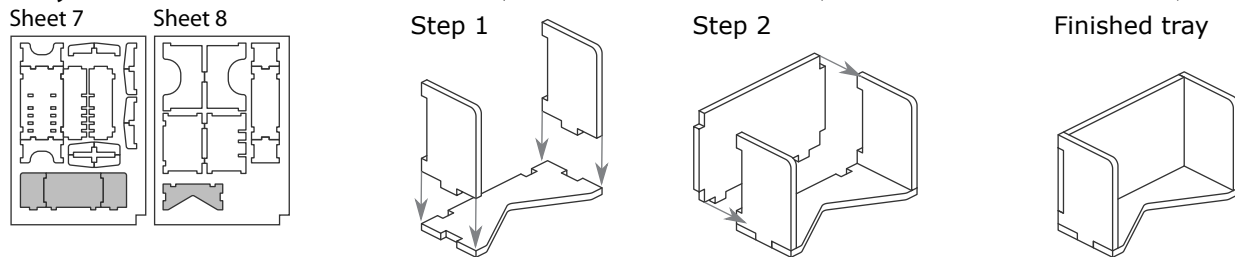
Tray 1



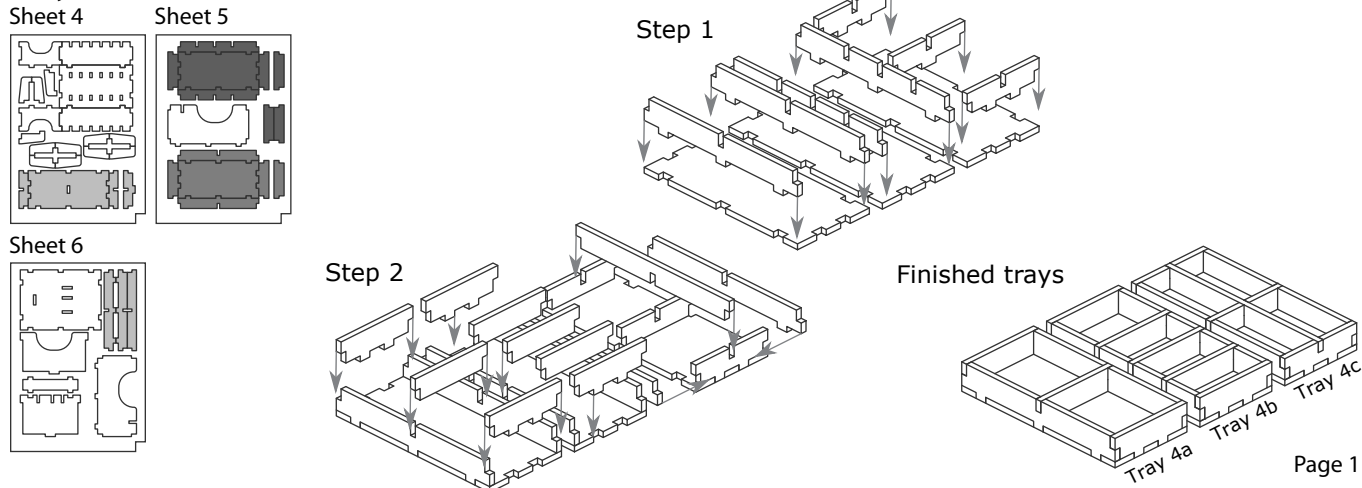
Tray 2a, 2b (the trays are identical)



Tray 3



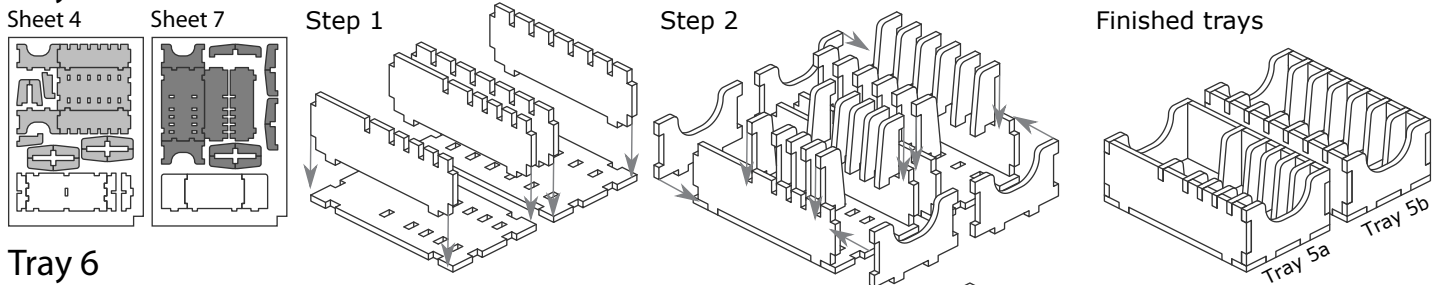
Tray 4a, 4b, 4c



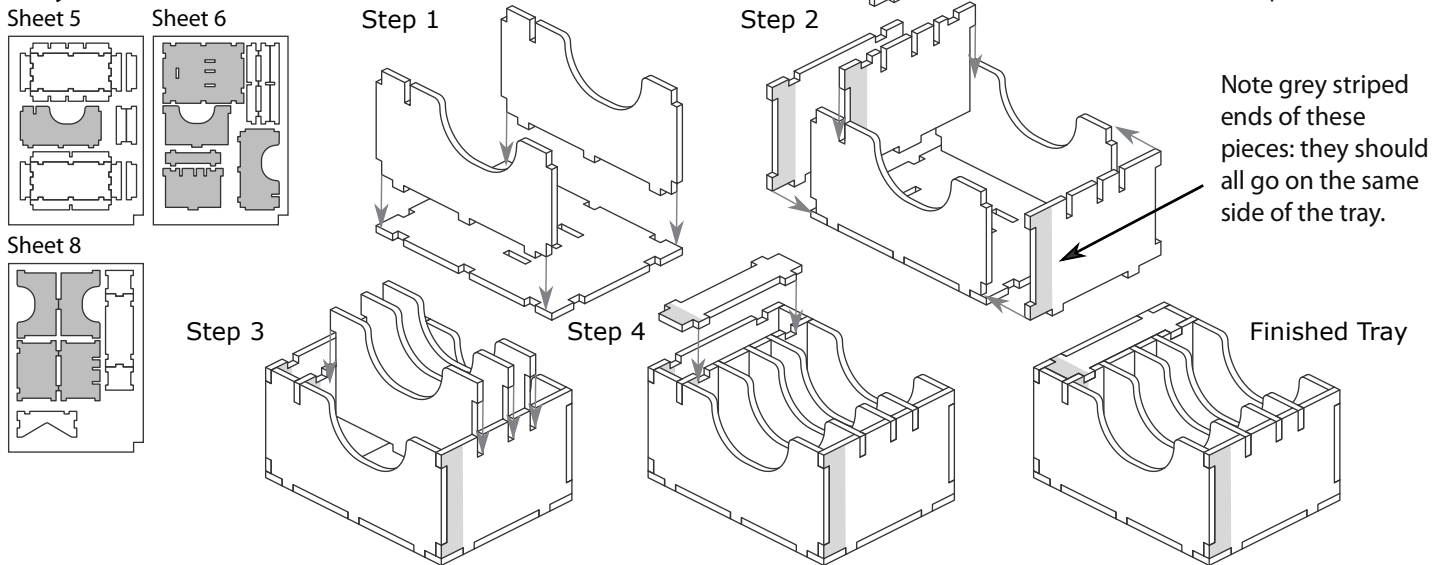
FS-VOID Insert compatible with Voidfall[®] Retail Edition



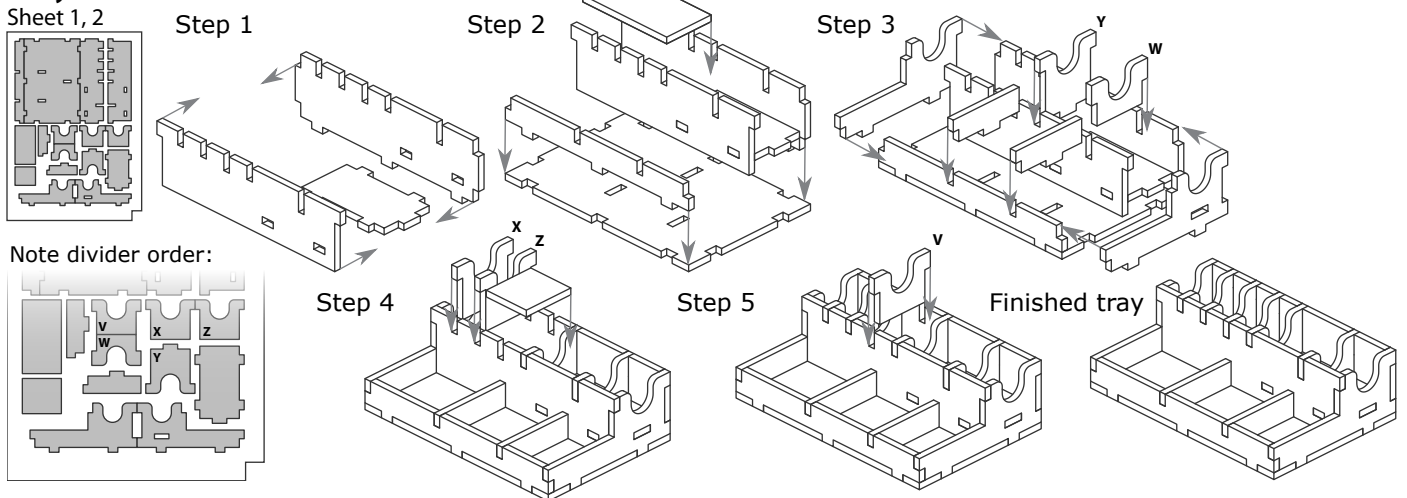
Tray 5a, 5b



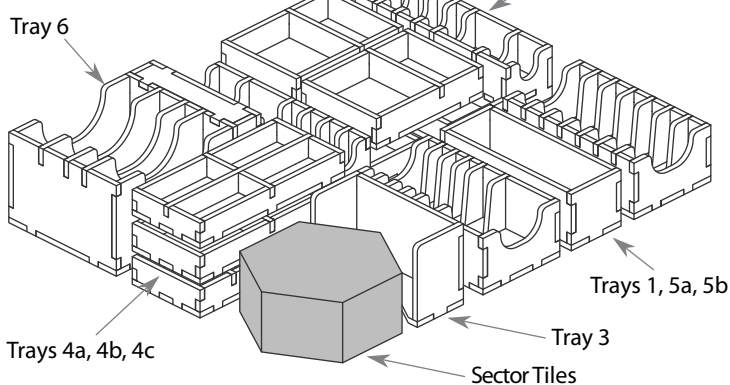
Tray 6



Tray 7a, 7b (the trays are identical)



FS-VOID



Please check www.foldedspace.com for photos of this insert in use.

Tray legend

- Tray 1 - corruption markers
- Tray 2a, b - glory and guild tokens
- Tray 3 - sector tile filler tray
- Tray 4a - bounty and reclaim tokens
- Tray 4b - spare dial pegs, and voidstorm, trade, & solo tokens
- Tray 4c - player pieces
- Tray 5a - crisis, alert, and agenda cards
- Tray 5b - house small cards
- Tray 6 - safe haven tiles, and glactic event & focus cards
- Tray 7a, b - dice, power cubes, and fleet & installation tokens

Note: the game includes a lot of rule books, boards and dials, so please do check our website for images of how to stack them.