

FS-EARTH Insert compatible with Earth



Assembly Instructions

The package contains six sheets: 2 double and 2 single sheets.

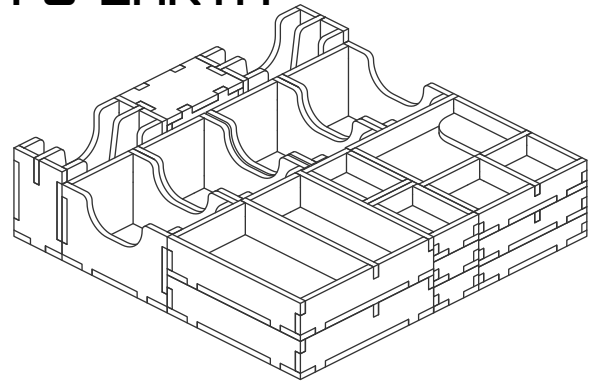
After assembly the trays are put in up to three layers in the original game box.

Ordinary PVA glue is required when assembling each tray.

Please make sure you dry-assemble each tray correctly before gluing it together.

Please check www.foldedspace.com for general assembly tips.

FS-EARTH

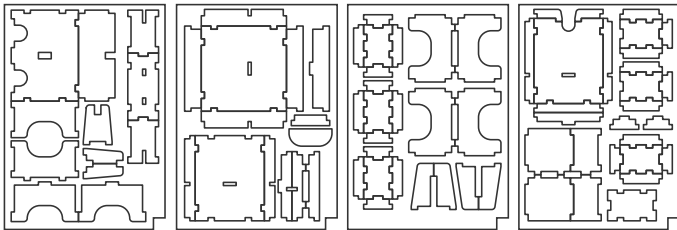


Sheet 1, 2

Sheet 3, 4

Sheet 5

Sheet 6



Tray 1a, b, c, d, e, f (check outside of tray pieces to be sure colours match all the way round the tray)

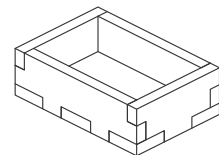
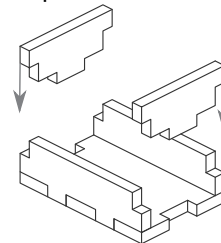
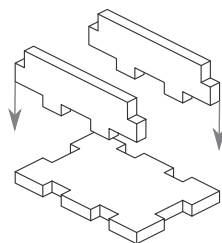
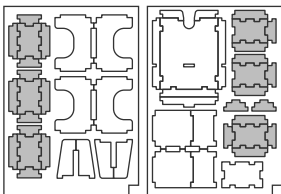
Sheet 5

Sheet 6

Step 1

Step 2

Finished tray



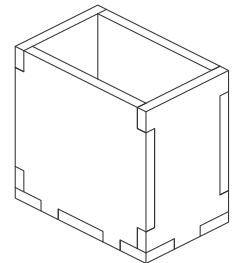
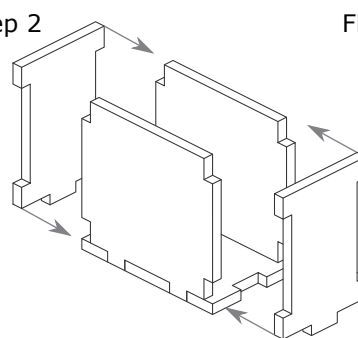
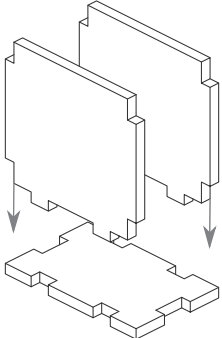
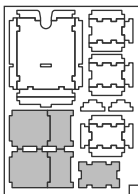
Tray 2

Sheet 6

Step 1

Step 2

Finished tray



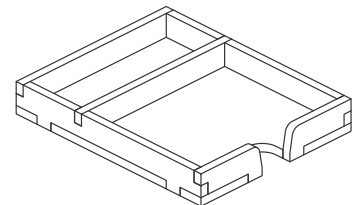
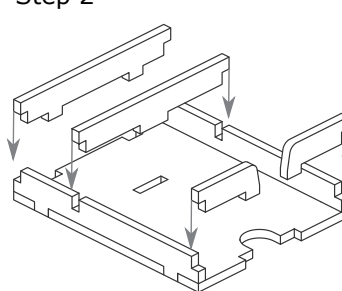
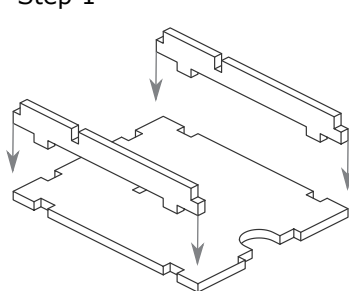
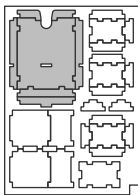
Tray 3

Sheet 6

Step 1

Step 2

Finished tray



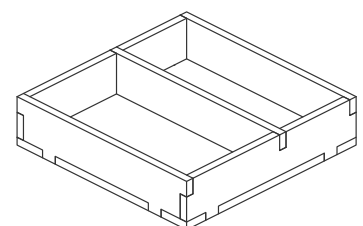
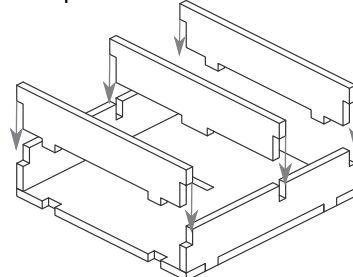
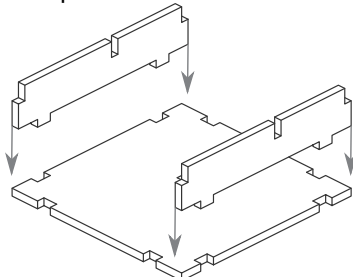
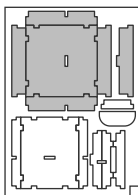
Tray 4a, 4b

Sheet 3, 4

Step 1

Step 2

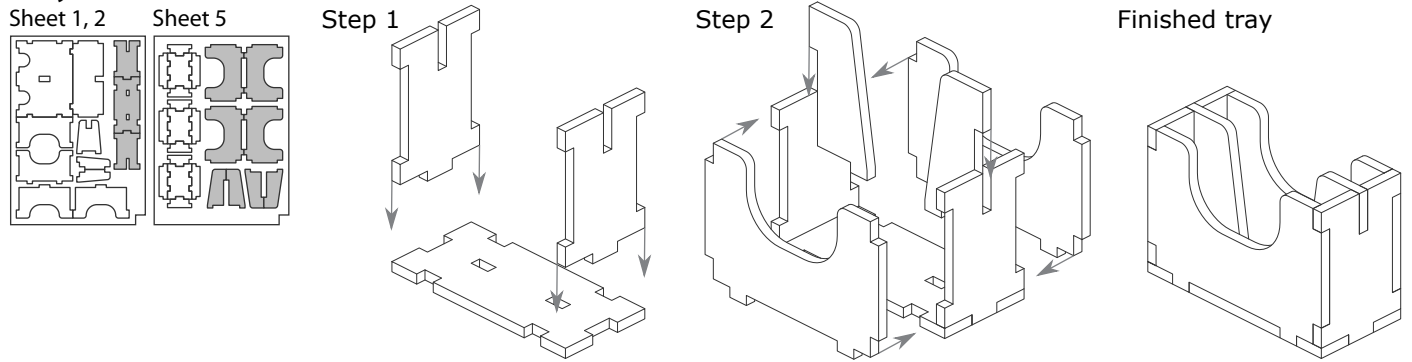
Finished tray



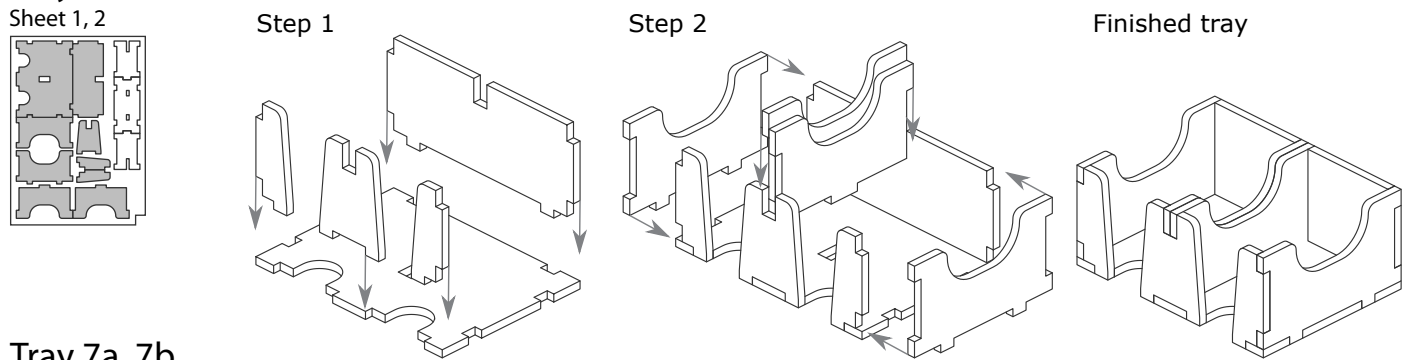
FS-EARTH Insert compatible with Earth



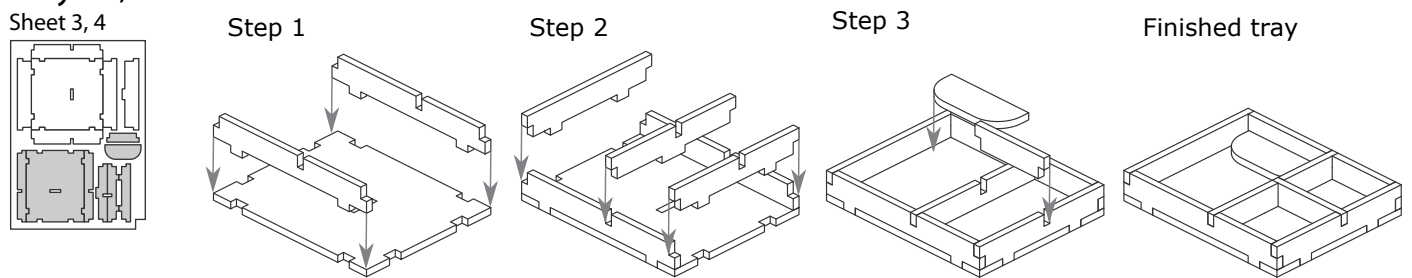
Tray 5a, 5b (check tray wall base tabs to match colours and signs on the base print)



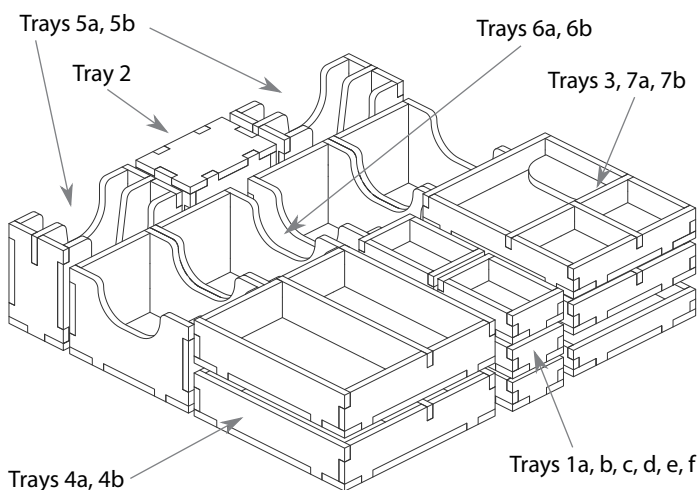
Tray 6a, 6b



Tray 7a, 7b



FS-EARTH



Please check www.foldedspace.com for photos of this insert in use.

Tray legend

- Tray 1a, b, c, d, e - player pieces
- Tray 1f - inverted filler tray
- Tray 2 - inverted filler tray
- Tray 3 - wooden soil tokens, score pad, and first & active player markers
- Tray 4a, b - trunk and canopy pieces
- Tray 5a - ecosystem and island & climate cards
- Tray 5b - fauna and solo & calendar cards
- Tray 6a, b - earth cards
- Tray 7a, b - sprout and soil tokens