

FS-GLOJAWv2 Insert compatible with Gloomhaven: Jaws of the Lion®



Assembly Instructions

The package contains five single sheets.

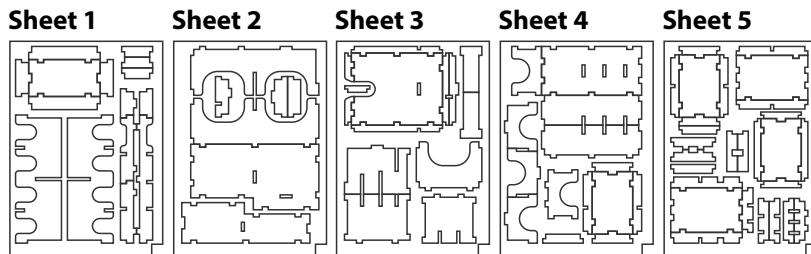
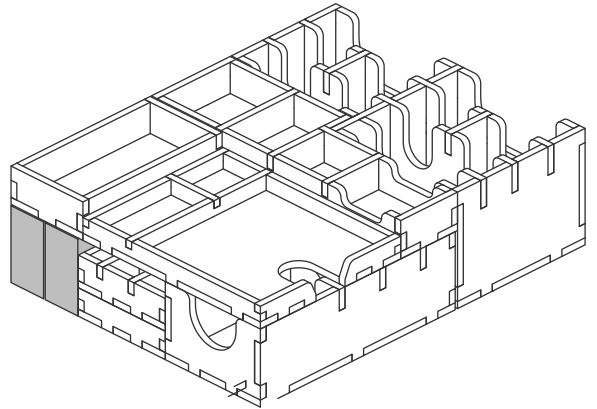
After assembly the trays are put in up to four layers in the original game box.

Ordinary PVA glue is required when assembling each tray.

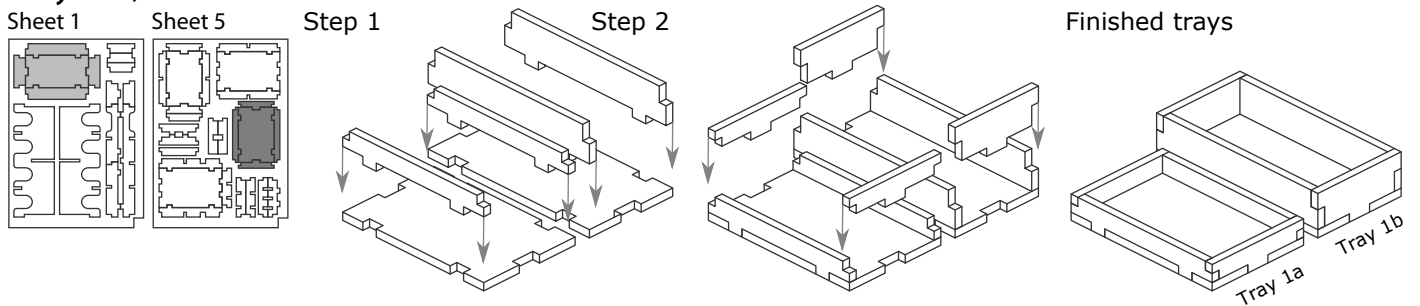
Please make sure you dry-assemble each tray correctly before gluing it together.

Please check www.foldedspace.com for general assembly tips.

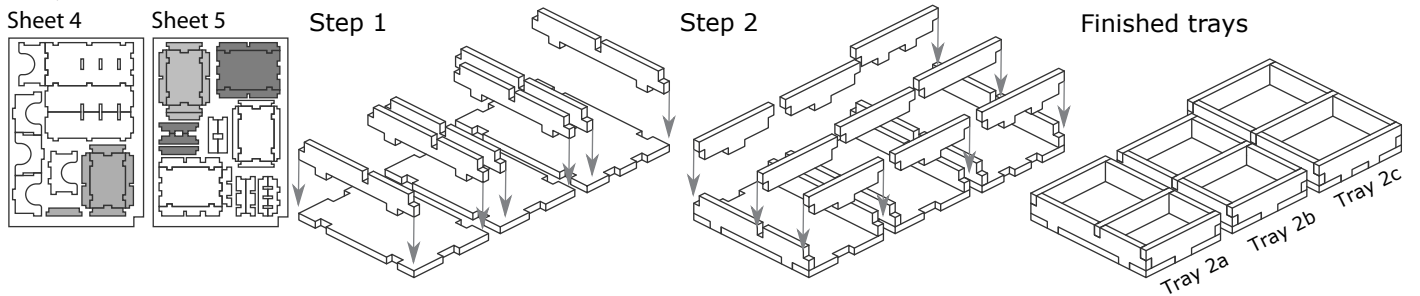
FS-GLOJAWv2



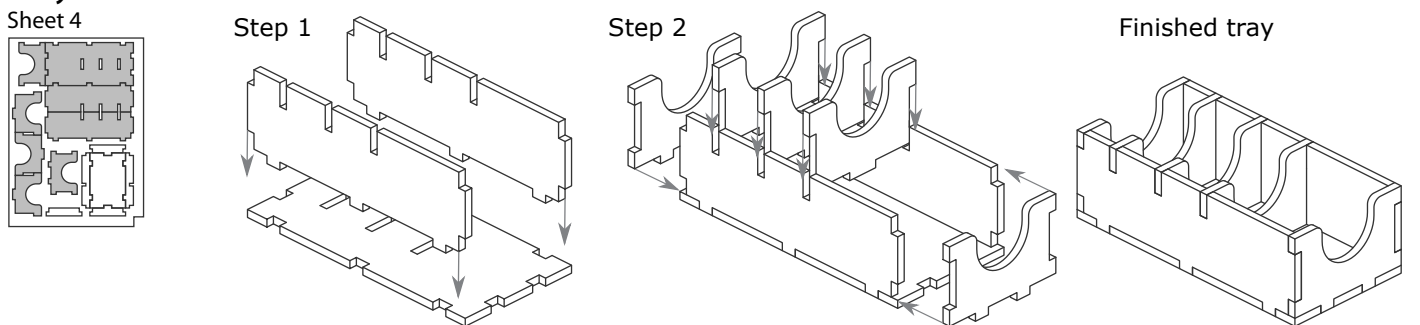
Trays 1a, 1b



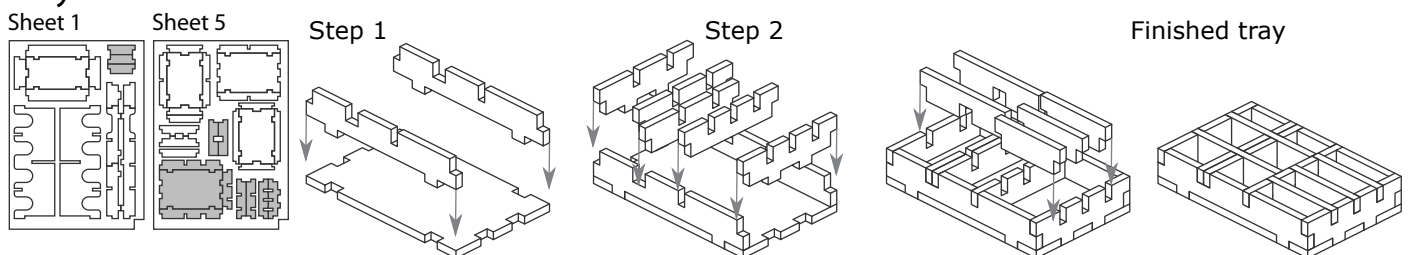
Tray 2a, 2b, 2c



Tray 3



Tray 4

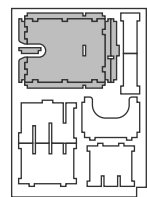


FS-GLOJAWv2 Insert compatible with Gloomhaven: Jaws of the Lion®

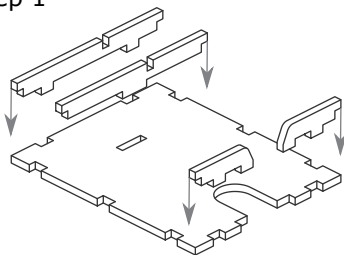


Tray 5

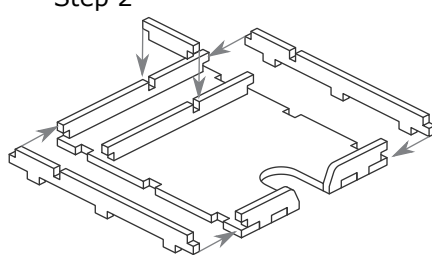
Sheet 3



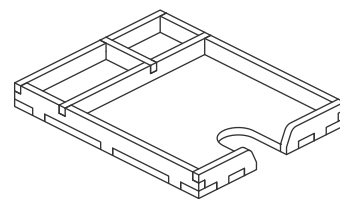
Step 1



Step 2

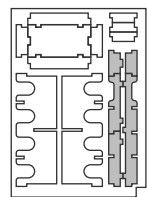


Finished tray

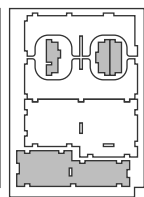


Tray 6

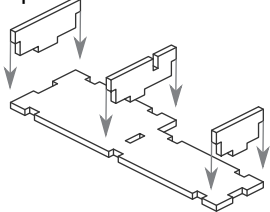
Sheet 1



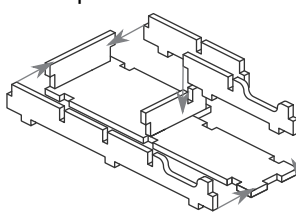
Sheet 2



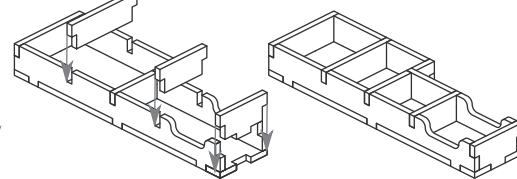
Step 1



Step 2

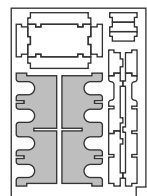


Finished tray

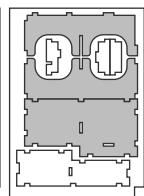


Tray 7

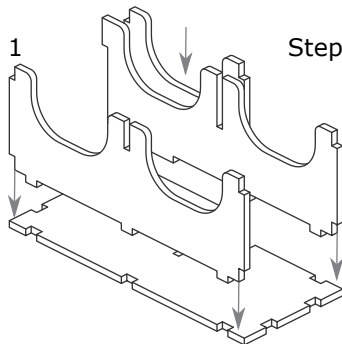
Sheet 1



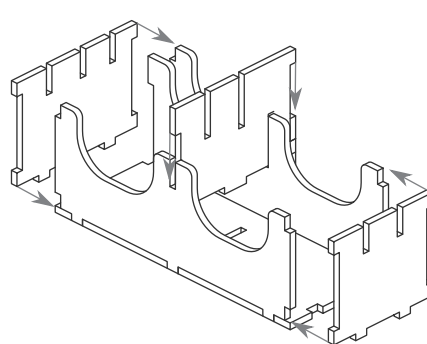
Sheet 2



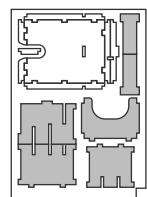
Step 1



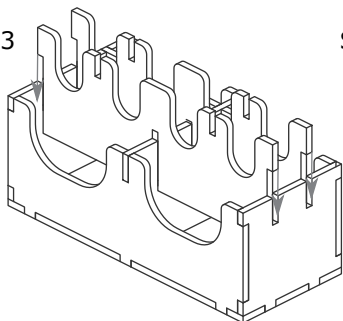
Step 2



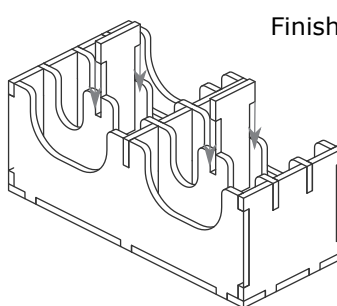
Sheet 3



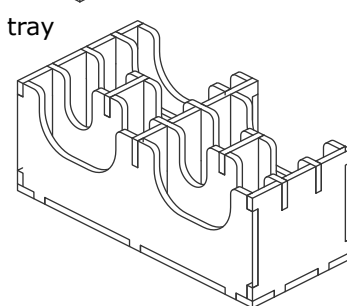
Step 3



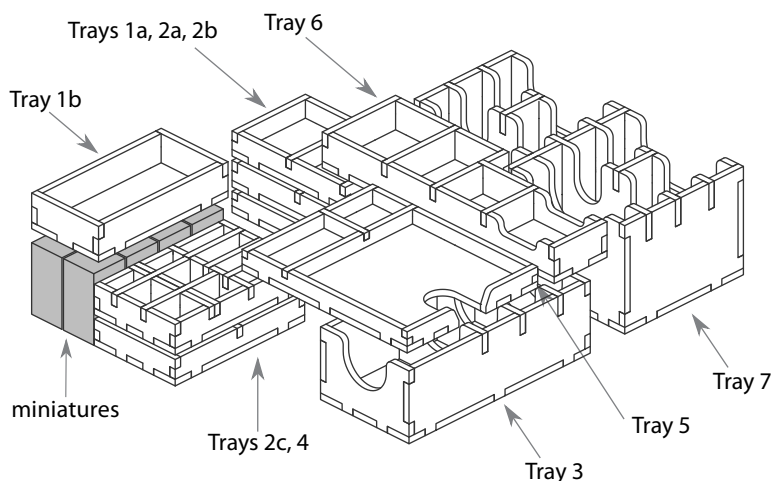
Step 4



Finished tray



FS-GLOJAWv2



Please check www.foldedspace.com for photos of this insert in use.

Tray legend

- Tray 1a - condition tokens
- Tray 1b - plastic stands
- Tray 2a, b - large monster standees
- Tray 2c - money and damage tokens
- Tray 3 - monster ability, attack modifier, item and battle goal cards
- Tray 4 - medium and small monster standees
- Tray 5 - monster stat cards & envelopes, and element & character tokens
- Tray 6 - terrain tiles, activation tokens and initiative order tokens
- Tray 7 - character and event cards

Note: please do consult our website for colour images of the assembled trays. Tray 7 is divided into four "L" shaped coloured zones (one for each character) and an additional grey slot for the event card deck. Make sure you dry assemble the trays correctly before adding glue.

Tip: Keep the instructions in the bottom of your board game box as a reminder of how the insert fits together.