

# FS-NDVLR Insert compatible with Nidavellir®, including the Thingvellir® and Idavoll® expansions



## Assembly Instructions

The package contains three sheets.

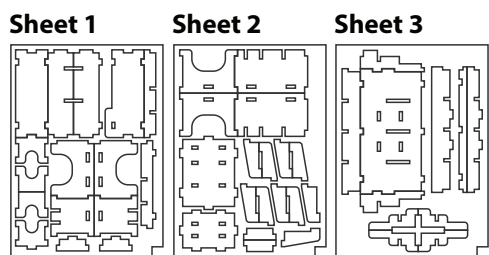
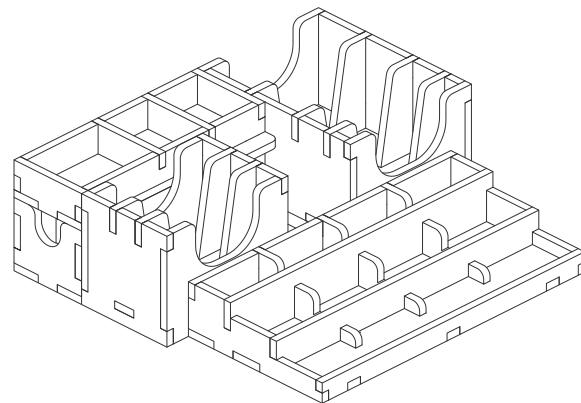
After assembly the trays are put in up to two layers in the original game box.

Ordinary PVA glue is required when assembling each tray.

Please make sure you dry-assemble each tray correctly before gluing it together.

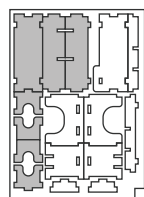
Please check [www.foldedspace.com](http://www.foldedspace.com) for general assembly tips.

## FS-NDVLR

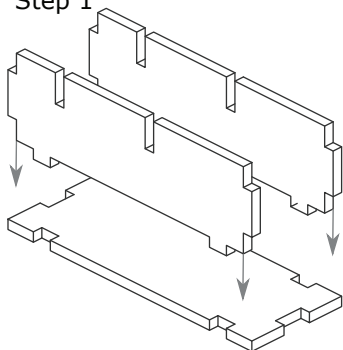


### Tray 1

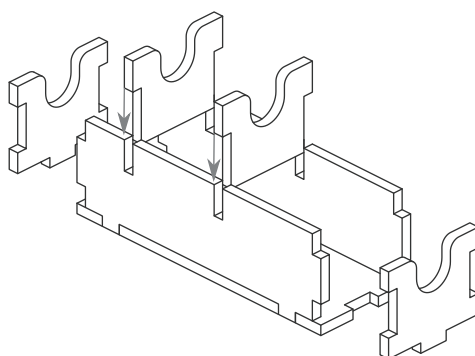
Sheet 1



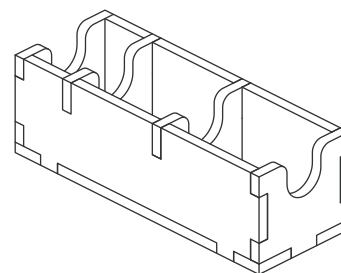
Step 1



Step 2

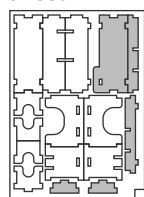


Finished tray

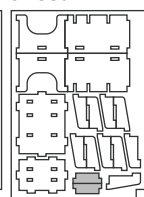


### Tray 2

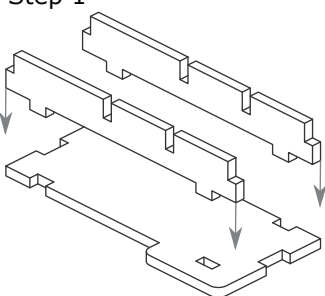
Sheet 1



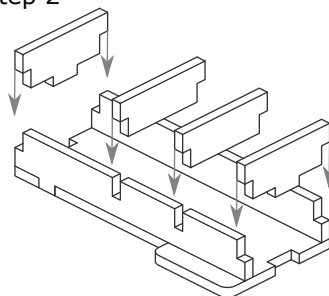
Sheet 2



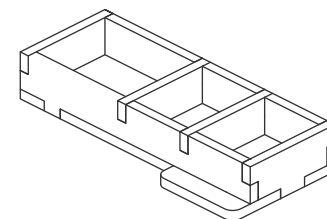
Step 1



Step 2

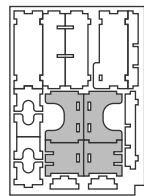


Finished tray

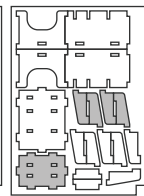


### Tray 3

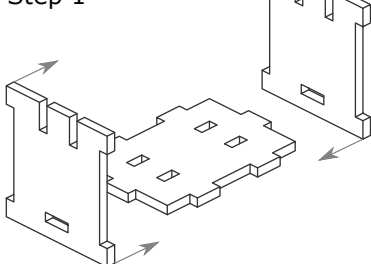
Sheet 1



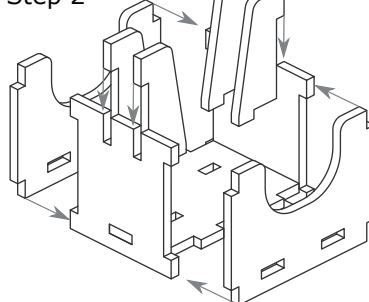
Sheet 2



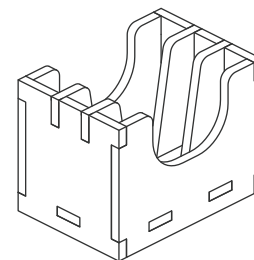
Step 1



Step 2



Finished tray

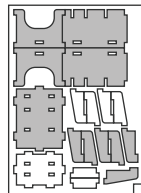


# FS-NDVLR Insert compatible with Nidavellir®, including the Thingvellir® and Idavoll® expansions

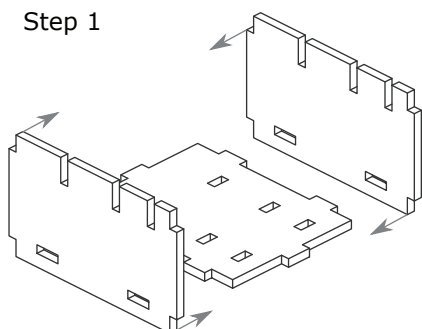


## Tray 4

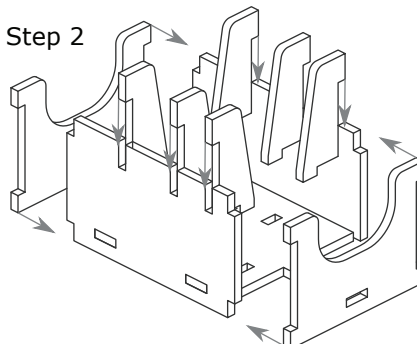
Sheet 2



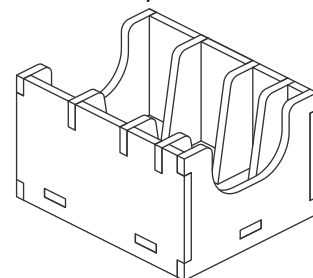
Step 1



Step 2

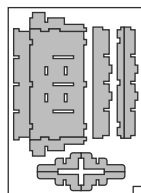


Finished tray

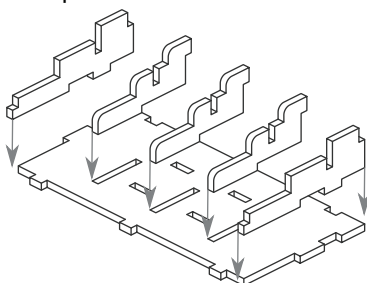


## Tray 5

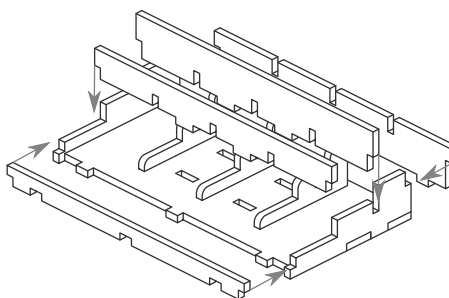
Sheet 3



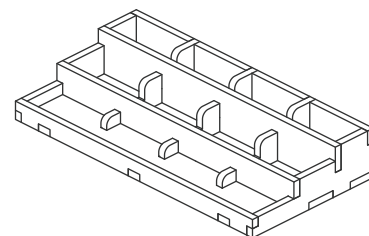
Step 1



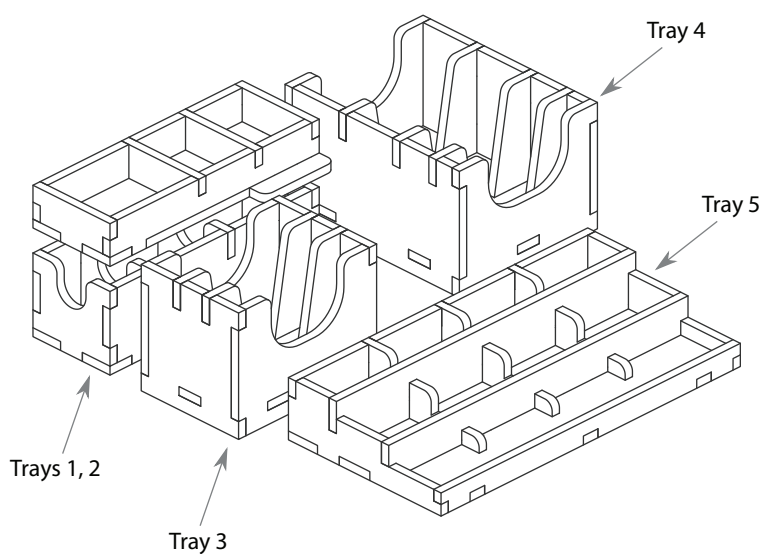
Step 2



Finished tray



## FS-NDVLR



Please check [www.foldedspace.com](http://www.foldedspace.com) for photos of this insert in use.

### Tray legend

- Tray 1 - gold coins
- Tray 2 - gem trade markers & special coin 3, power, strength & capture tokens, and class tokens
- Tray 3 - camp cards, mythology cards and gems
- Tray 4 - dwarf, hero, and other cards
- Tray 5 - royal treasure support tray

Note: Tray 5 is intended to be glued to the underside of the cardboard royal treasure that comes with the base game. This will reinforce the cardboard stand making it far more rigid and practical for storage and game play. Once you have assembled Tray 5 and it is dry you can see how it fits snugly underneath the royal treasure, and you can see the contact points where glue can be applied. Also note that when fully loaded the box has room for just three of the score pads if they are new and unused.