

FS-TABLE compatible with your entire board game collection!

Assembly Instructions

The package contains ten sheets: four double sheets and two single sheets.

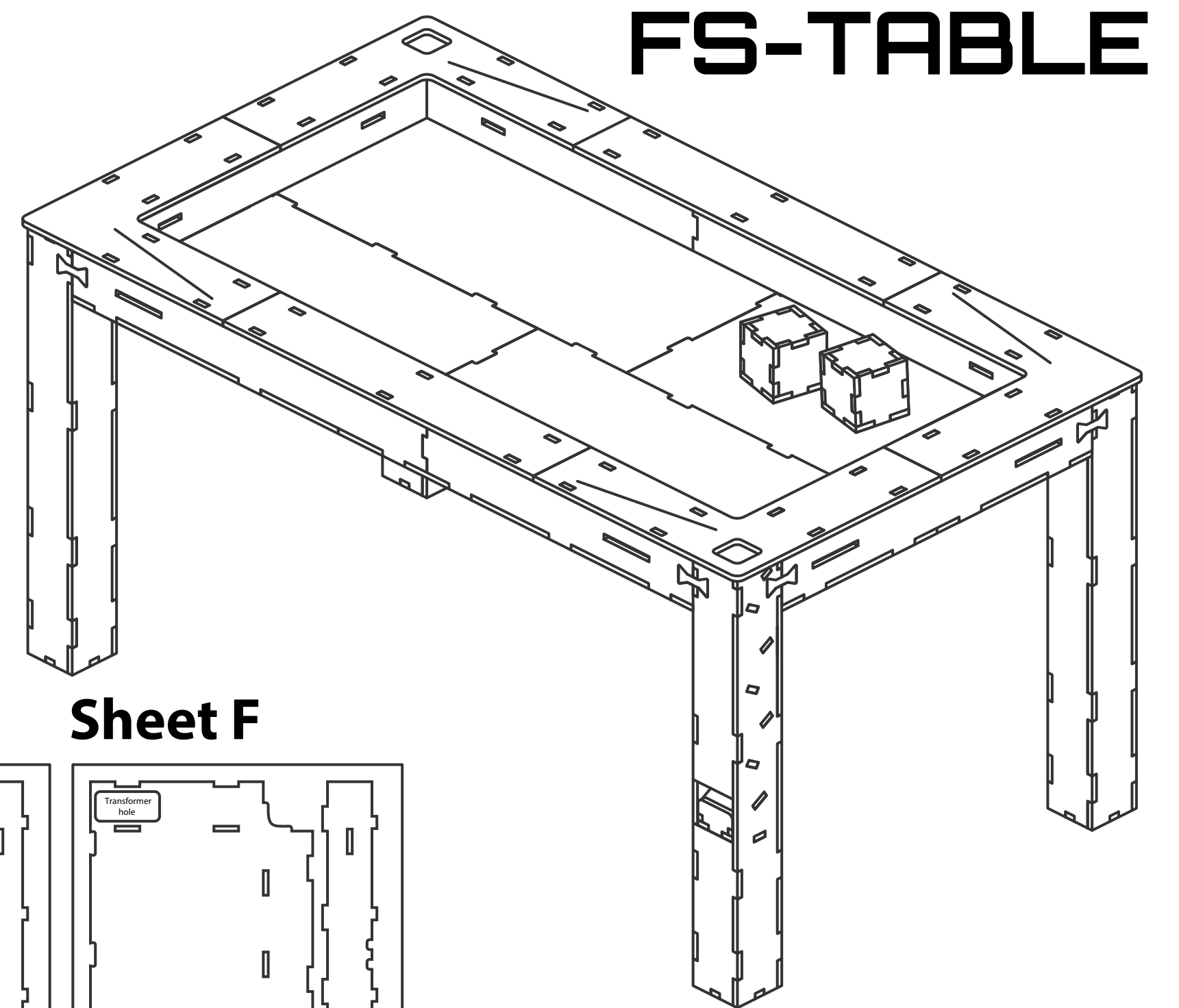
After assembly optional LED strips can be installed to illuminate the playing area.

Ordinary PVA glue is required when assembling each stage.

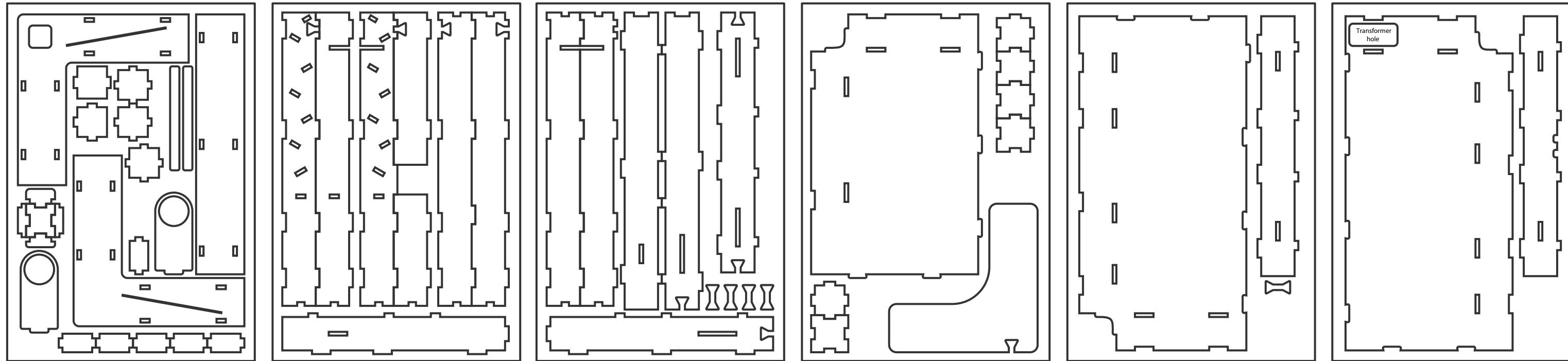
Please make sure you dry-assemble each stage correctly before gluing it together.

Please check www.foldedspace.com for general assembly tips.

We recommend building the table in four stages, waiting in between for the glue to dry before combining the sub-assemblies.

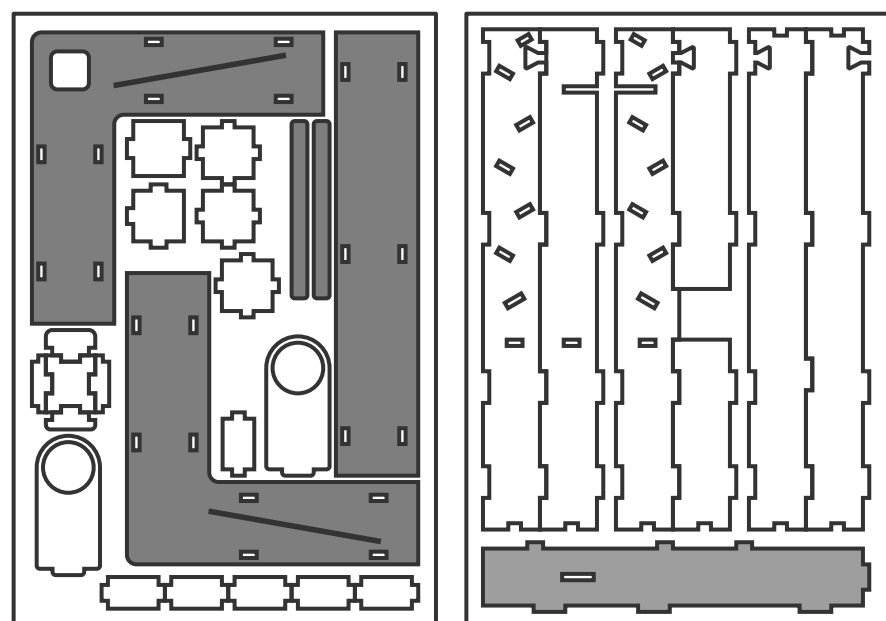


Sheet A1, A2 Sheet B1, B2 Sheet C1, C2 Sheet D1, D2 Sheet E Sheet F



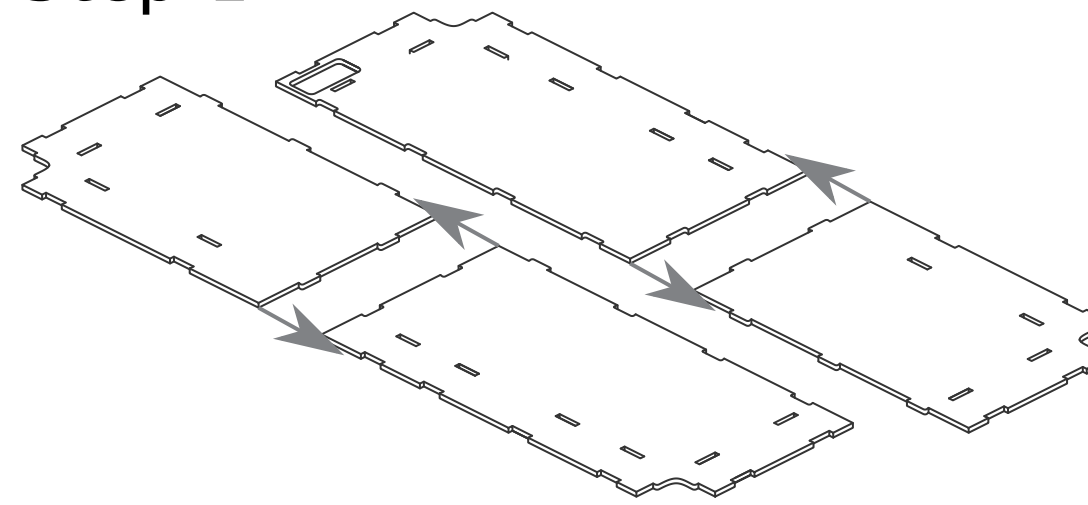
Stage A — Tabletop

Sheet A1, A2 Sheet B1, B2

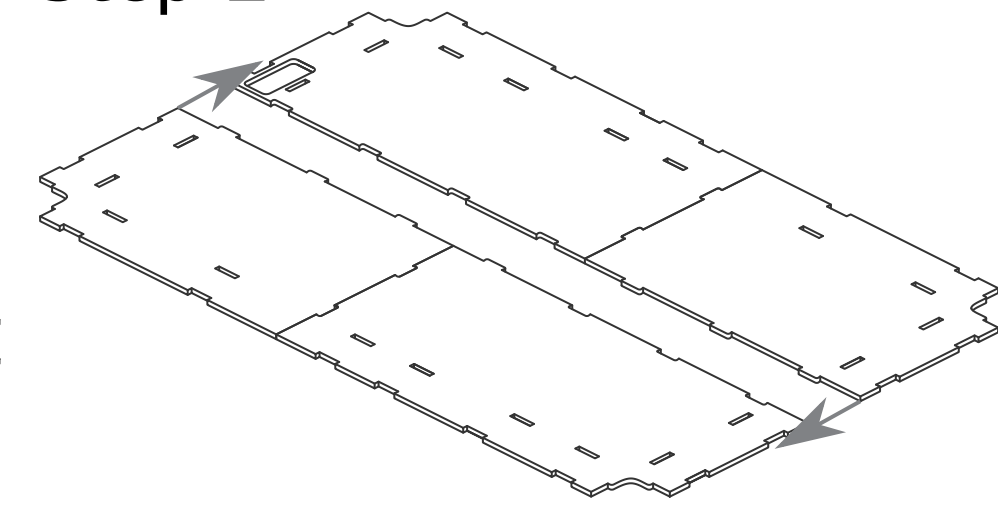


Base

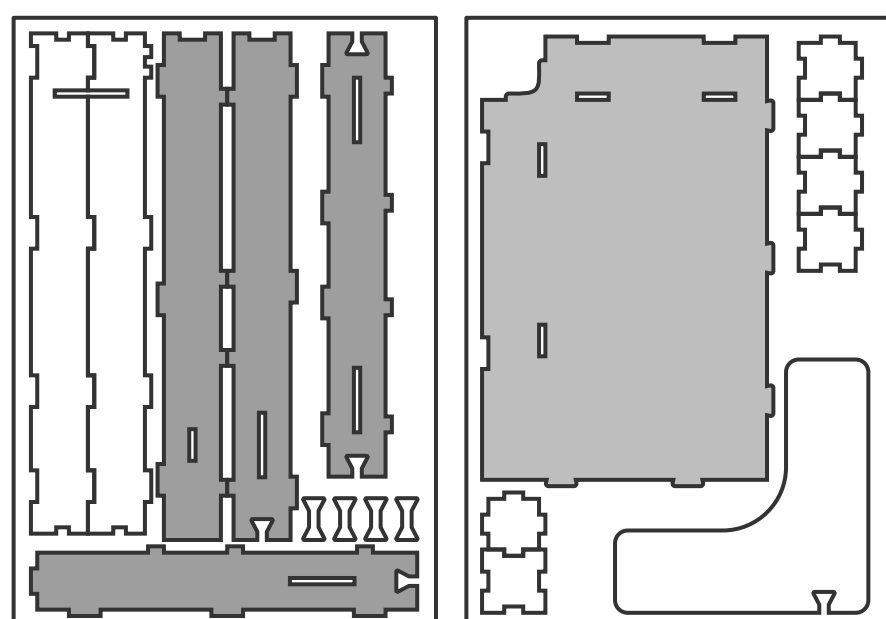
Step 1



Step 2

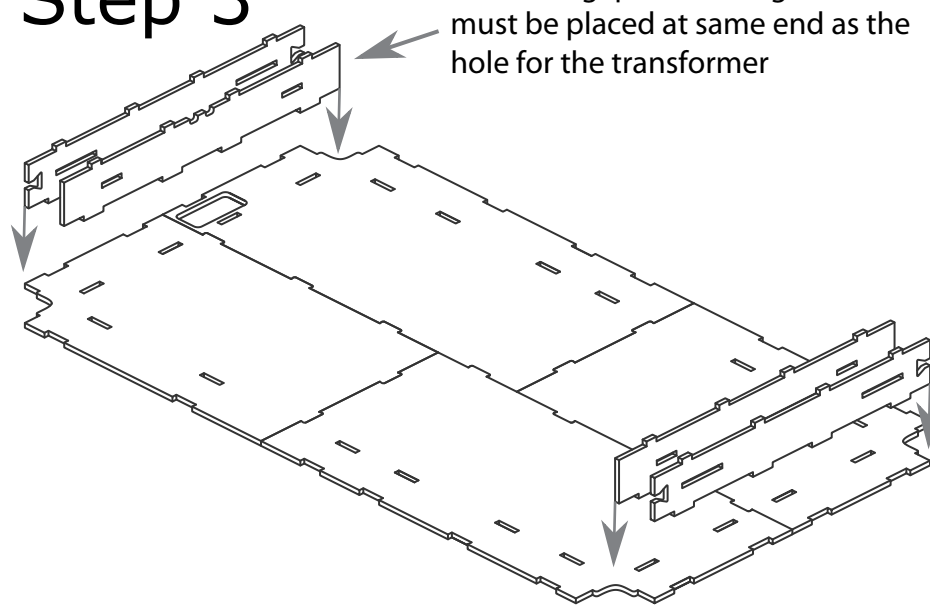


Sheet C1, C2 Sheet D1, D2

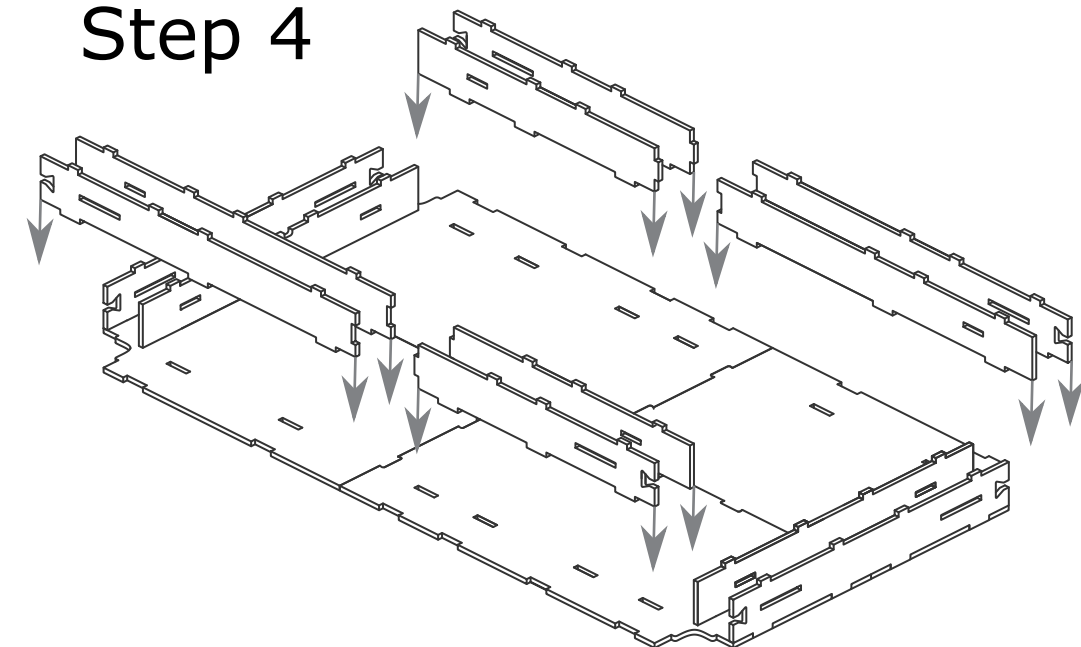


Side walls

Step 3

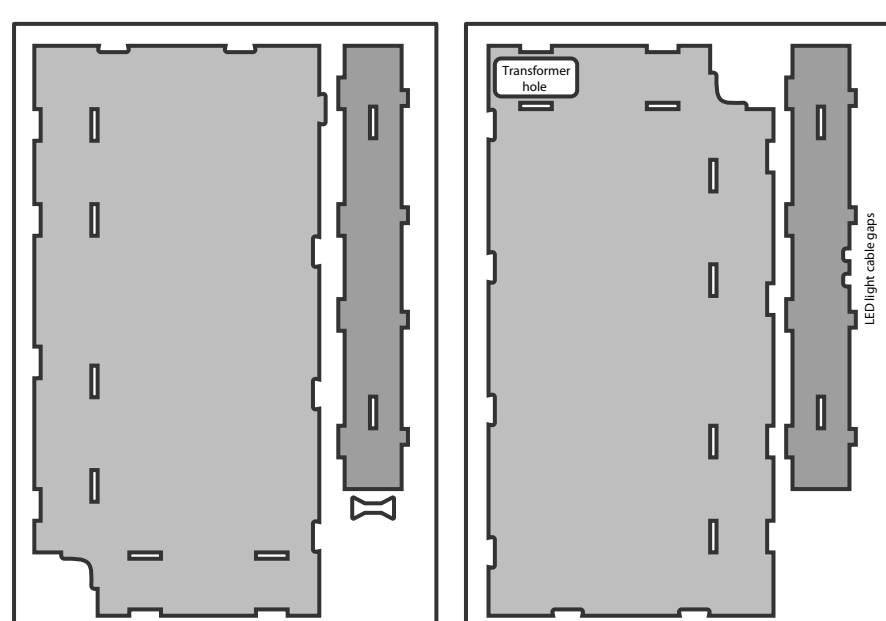


Step 4



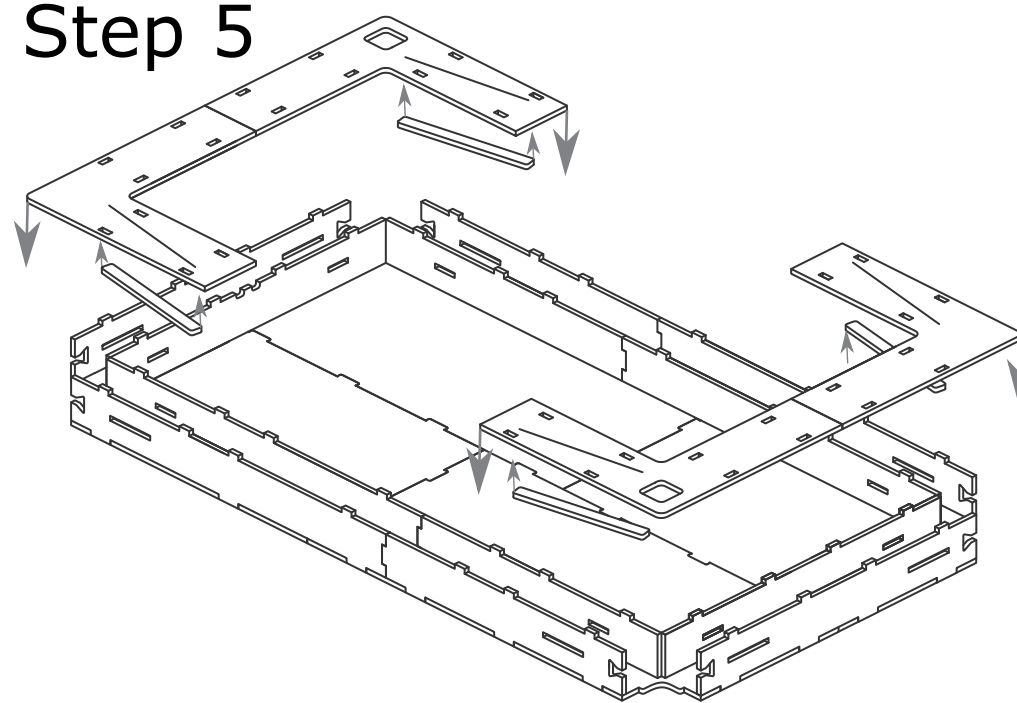
Sheet E

Sheet F

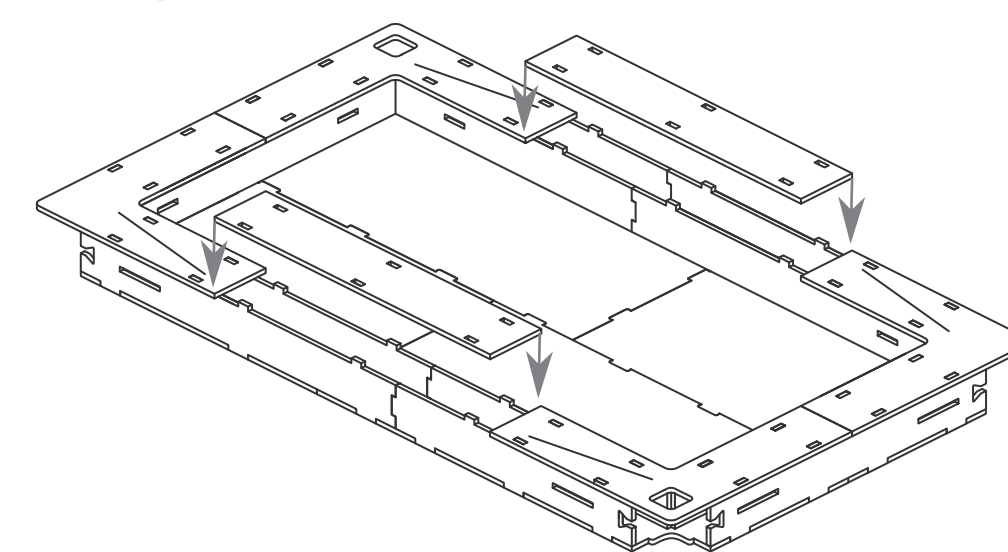


Wall top

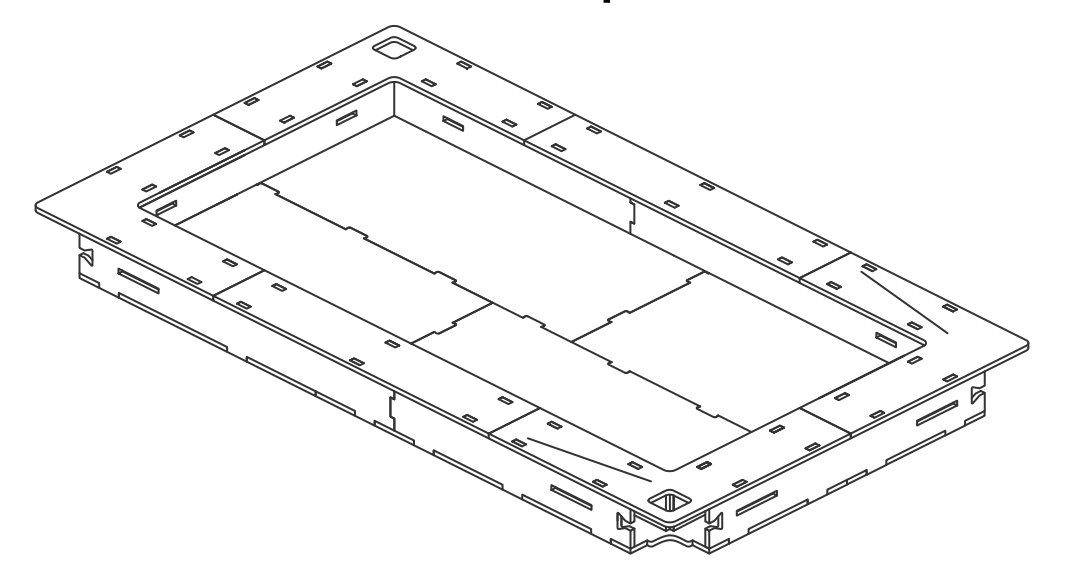
Step 5



Step 6

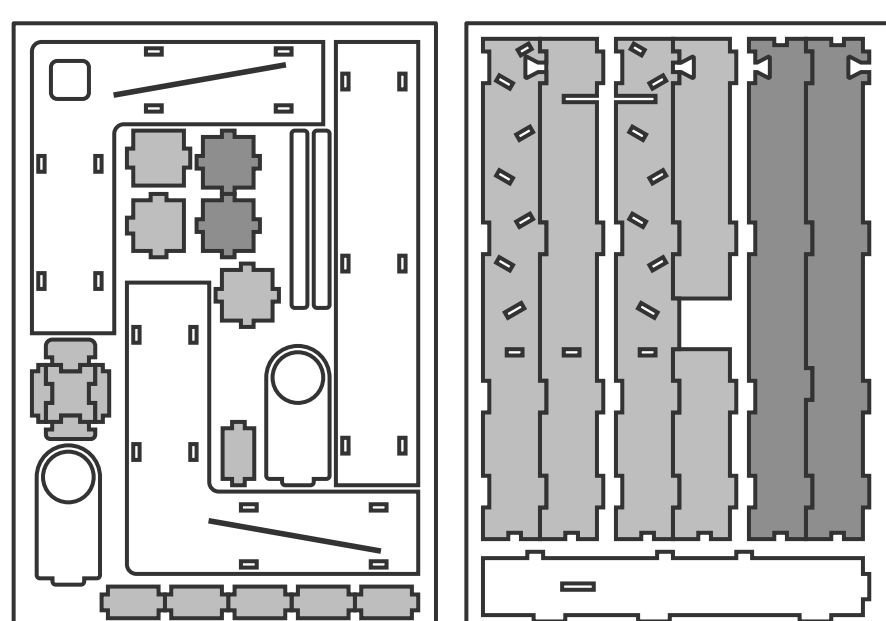


Finished tabletop



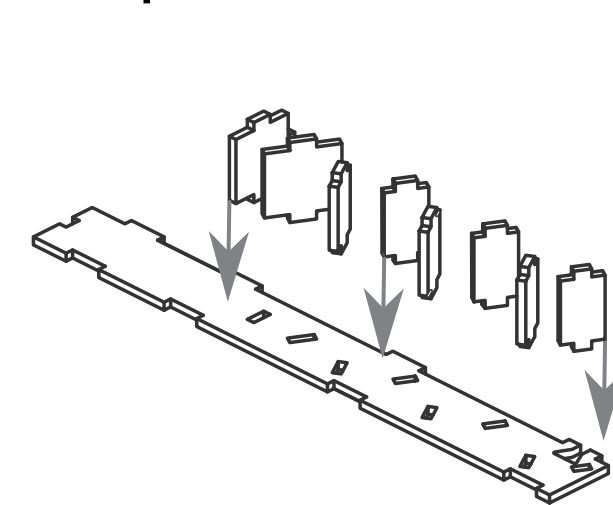
Stage B — Legs

Sheet A1, A2 Sheet B1, B2

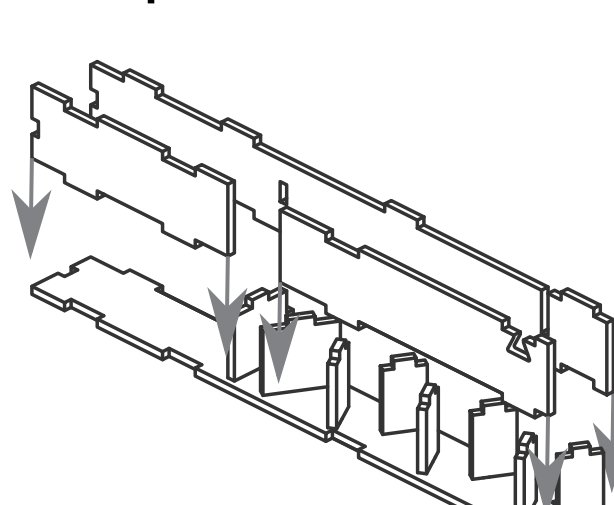


Dice Tower Legs

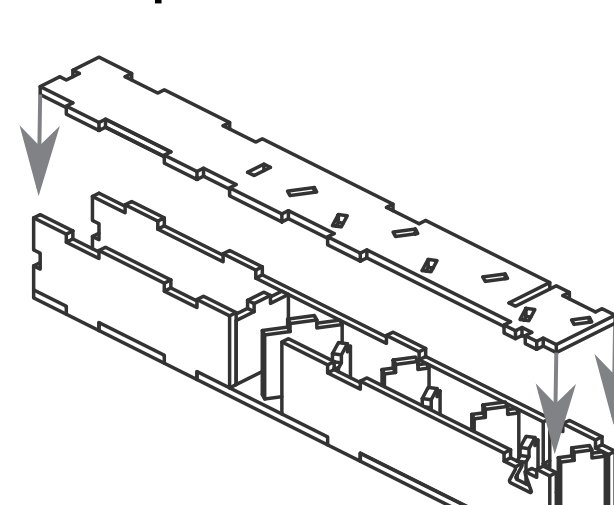
Step 1



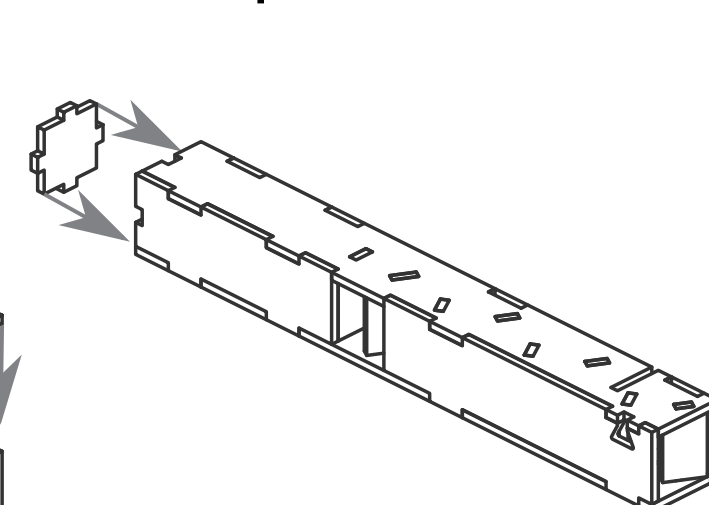
Step 2



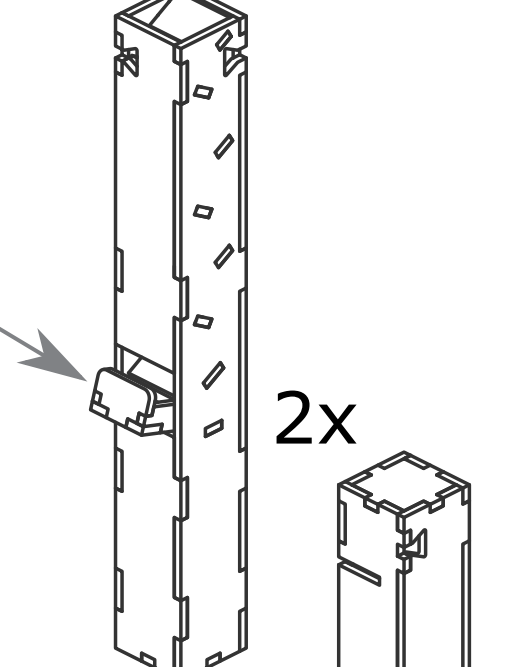
Step 3



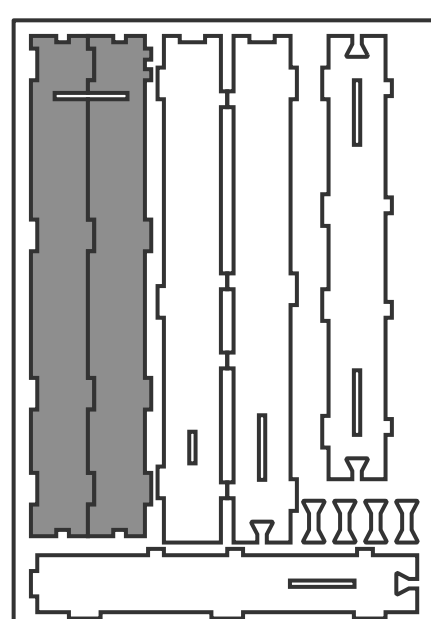
Step 4



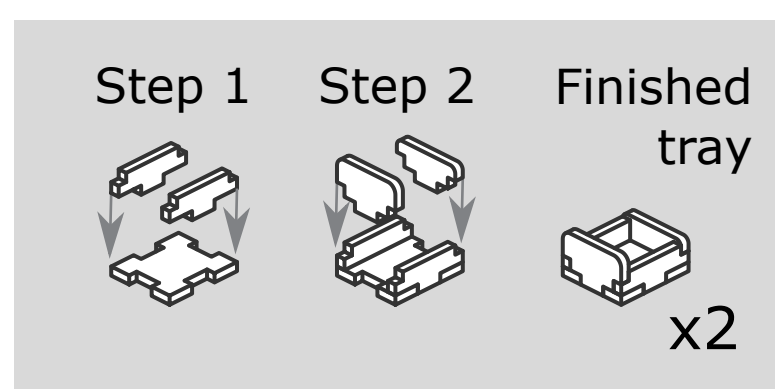
Finished legs
2x



Sheet C1, C2

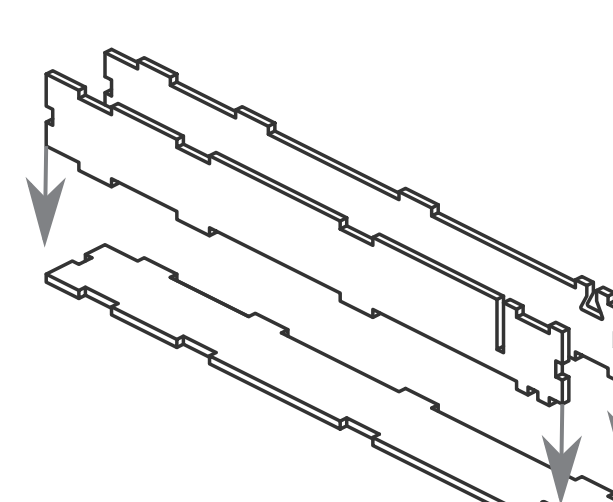


Dice trays

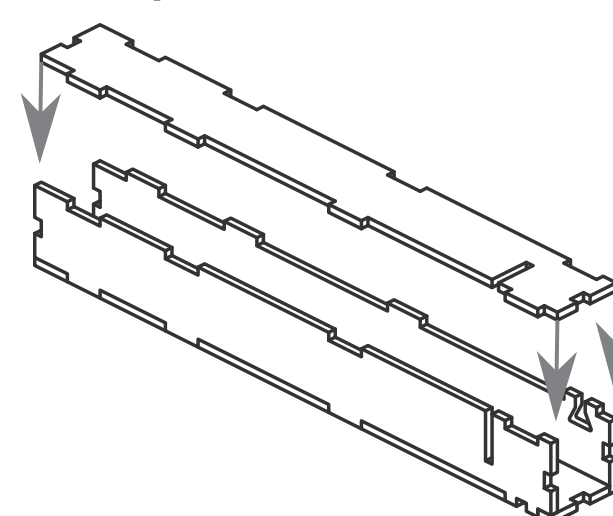


Normal Legs

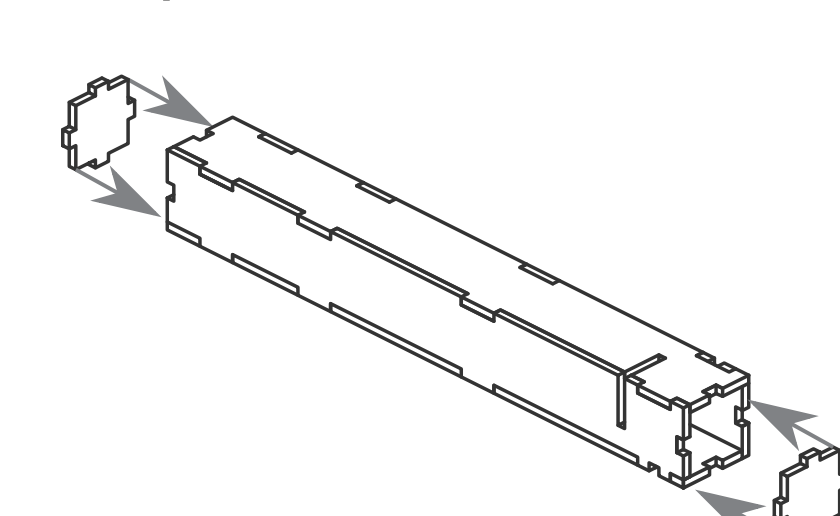
Step 1



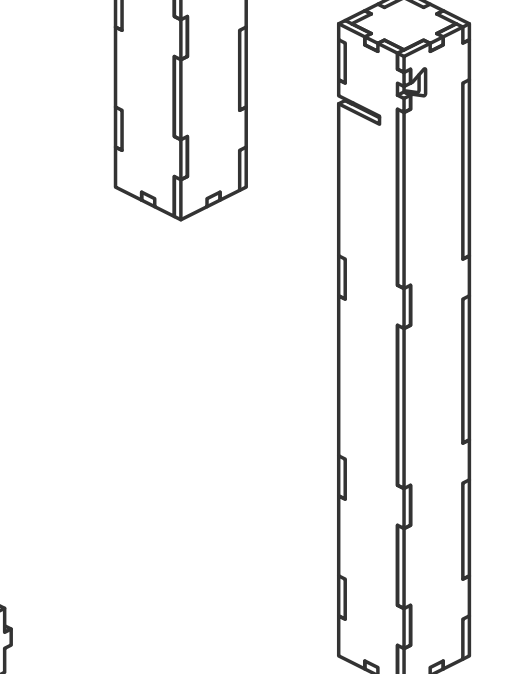
Step 2



Step 3



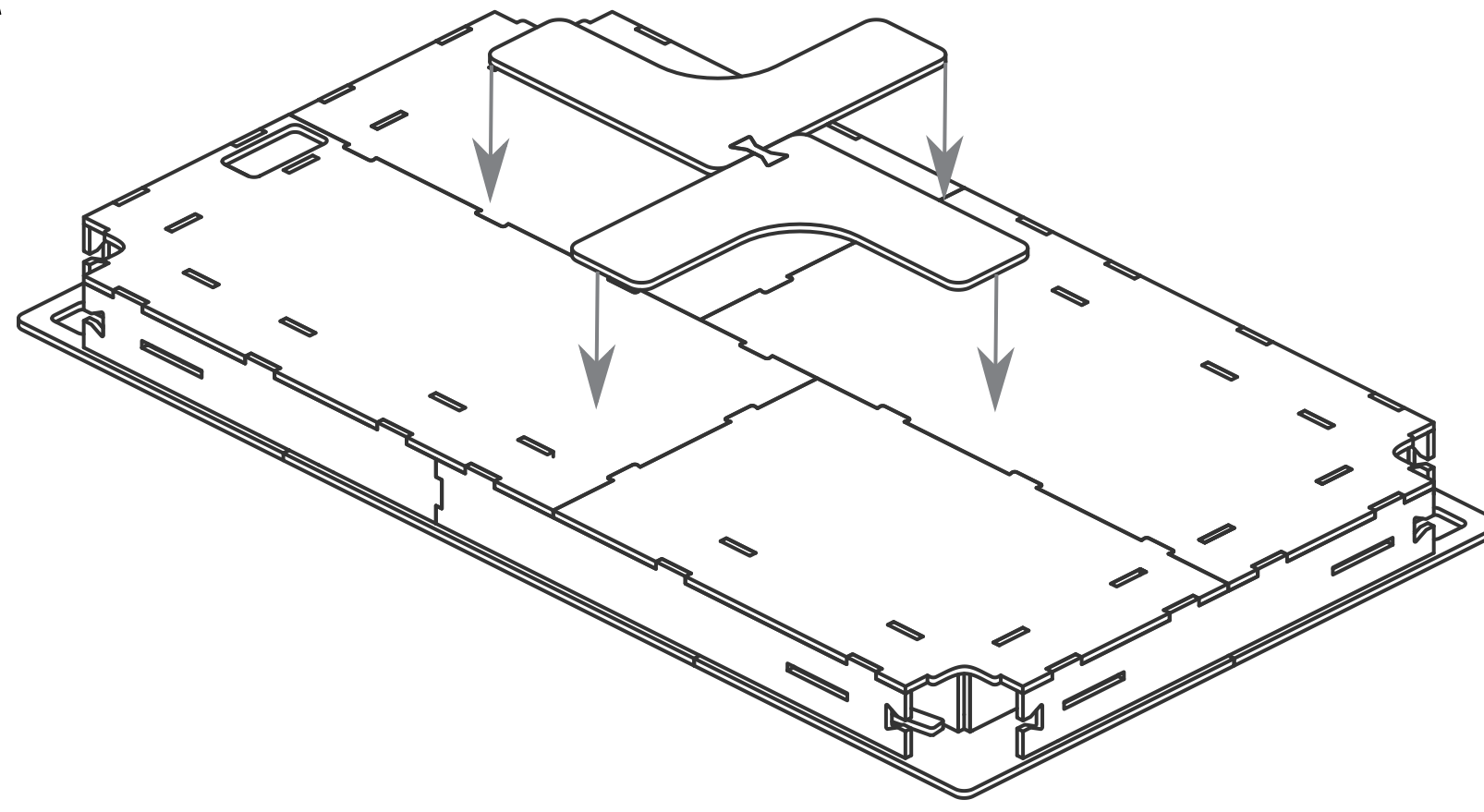
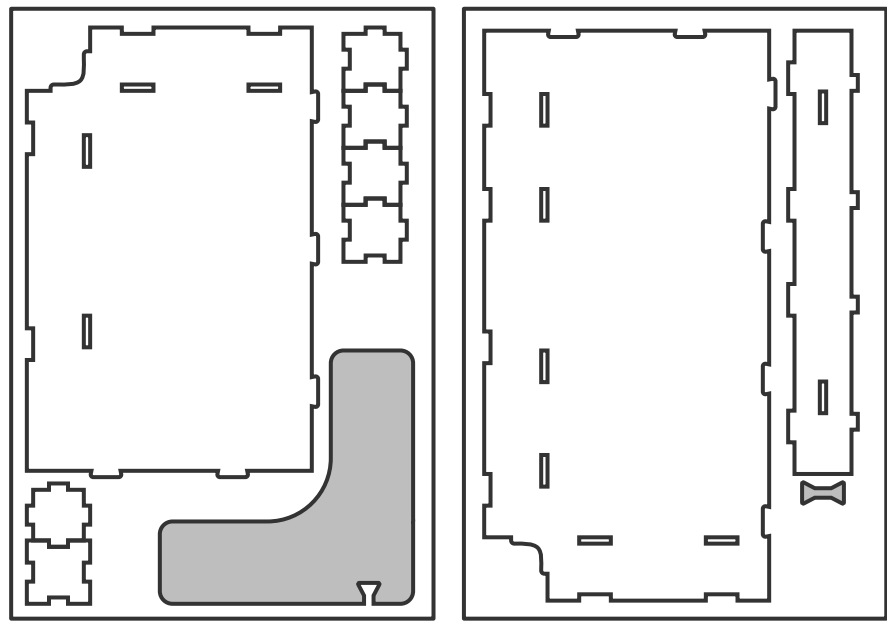
2x



FS-TABLE compatible with your entire board game collection!

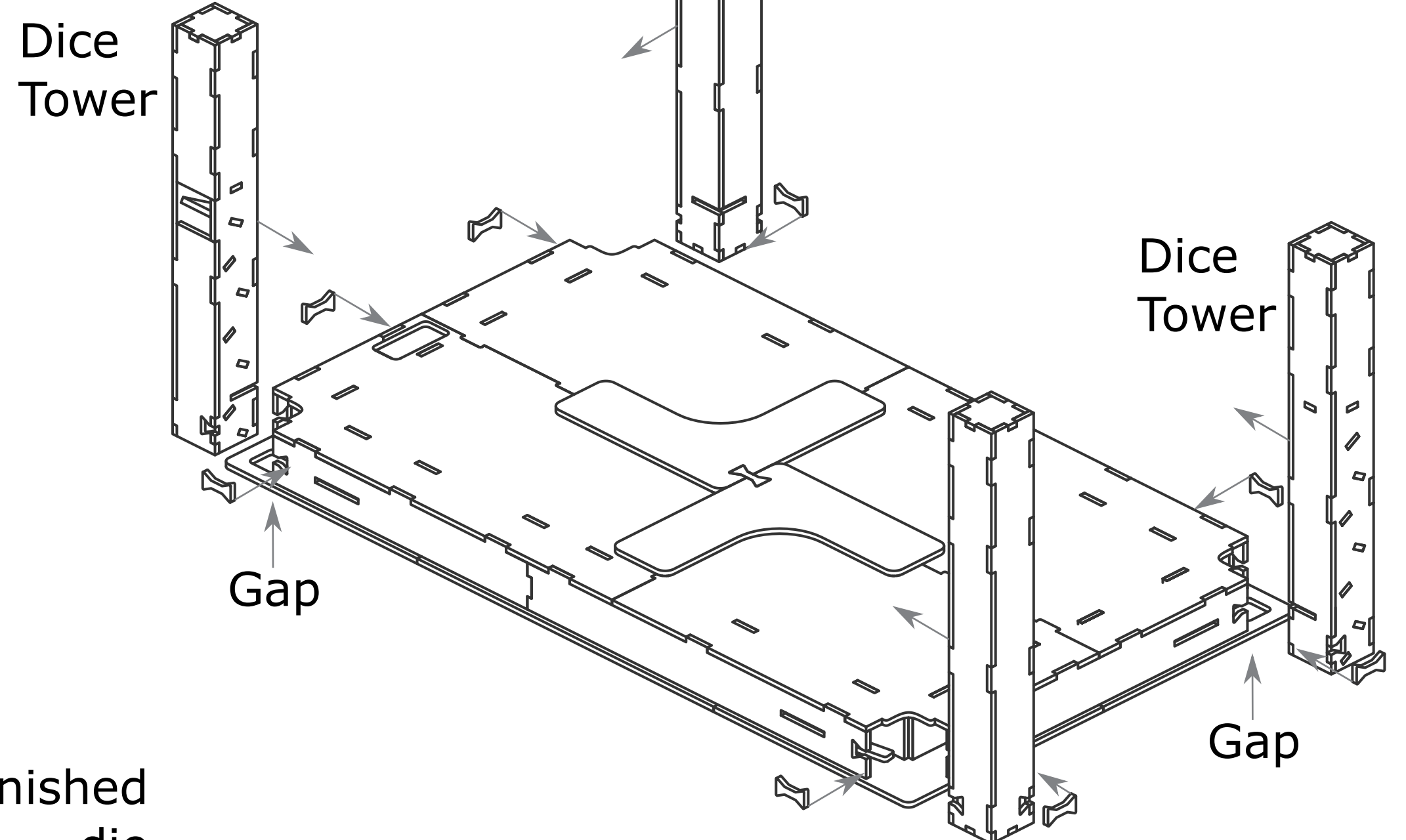
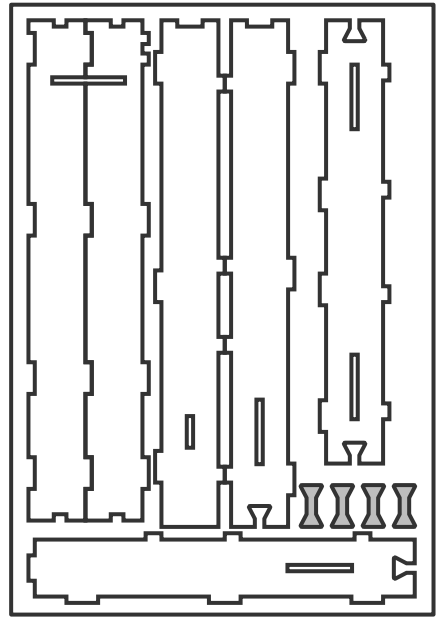
Stage C — Tabletop Brace

Sheet D1, D2 Sheet E



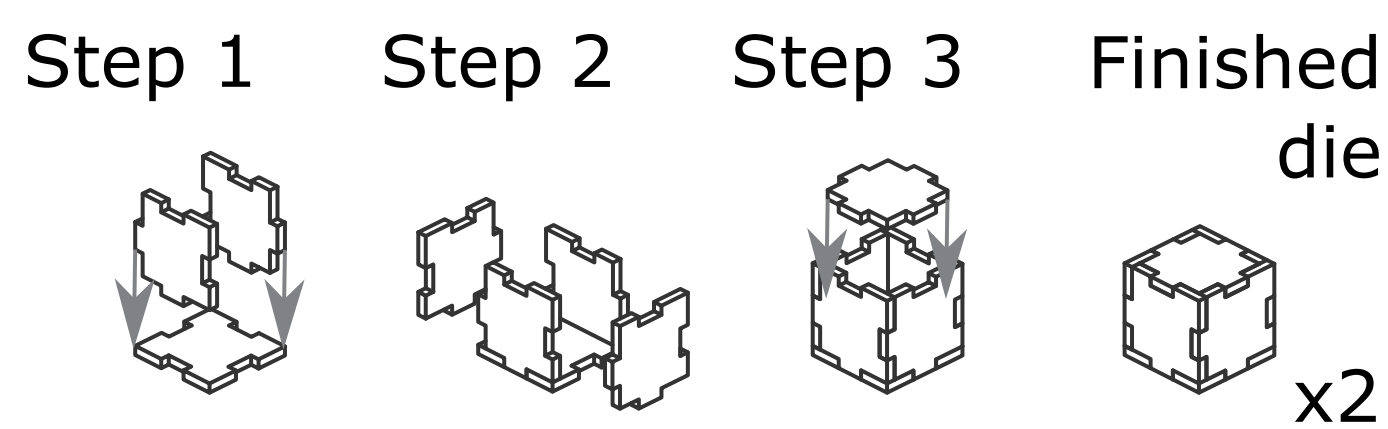
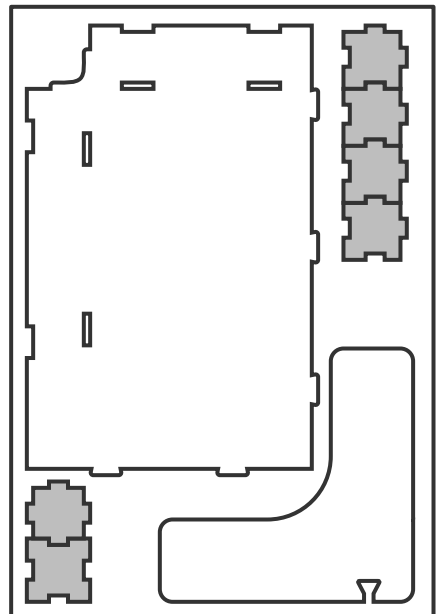
Stage D — Fittings

Sheet C1, C2

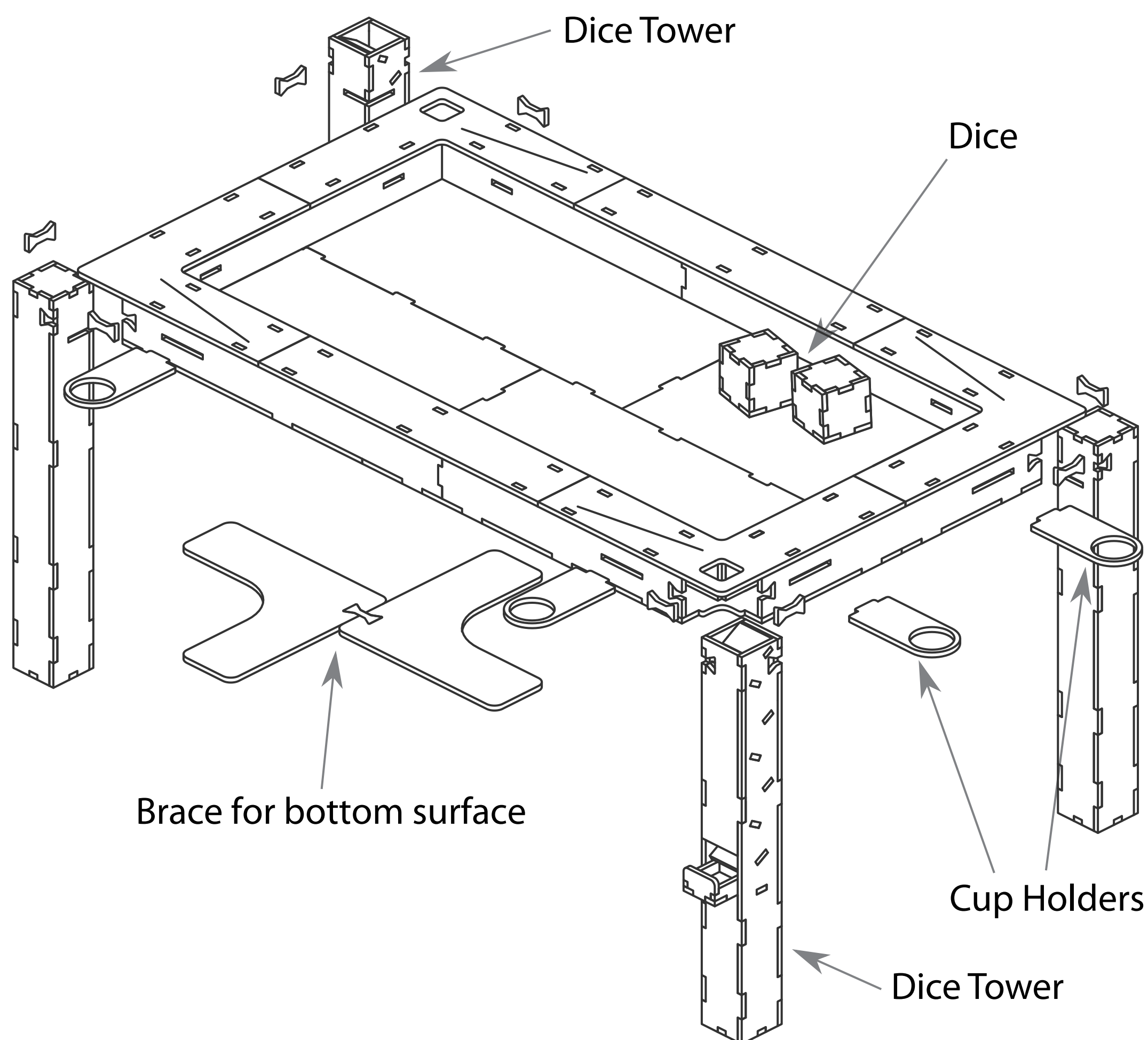


Stage E — Dice Assembly

Sheet D1, D2



FS-TABLE



Please check www.foldedspace.com for photos of this insert in use.

Assembly Guide

Stage A: build the table surface and side walls. In all stages apply glue to all surfaces in contact with other pieces. Ensure that the glue is fully dry before moving on to Stage C.

Stage B: the legs can be assembled while the table surface is drying. Note that there are two of each of the two types of legs, so you should have two legs containing dice towers and two normal legs.

Stage C: once the table surface from Stage A is fully dry turn it upside-down and add the middle brace pieces to the underside. You can then proceed straight to Stage D.

Stage D: add the legs using the small connector pieces. Once fully assembled leave the table upside-down over night to allow the glue to fully dry.

Note: a separate LED light strip set can be added after the table is fully assembled. The LED tape strip can be applied to the underside of the inside lip on the upper arm rest walls. Use the holes at one end of the table to pass the cabling through to the transformer which can be stored inside the side wall.