

FS-GWTSE Insert compatible with



Great Western Trail® (II ed.), including the Rails to the North® (II ed.) expansion. Separately compatible with Great Western Trail: Argentina®

Assembly Instructions

The package contains 4 sheets, consisting of two double sheets.

After assembly the trays are put in up to two layers in the original game box.

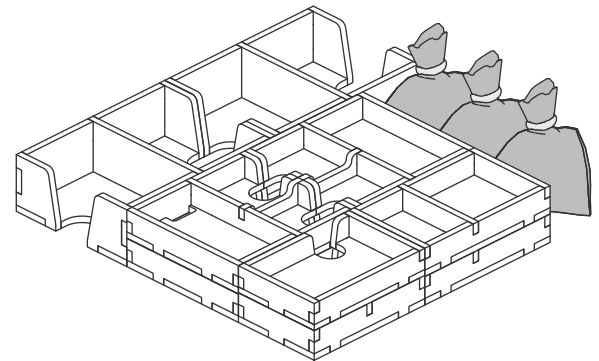
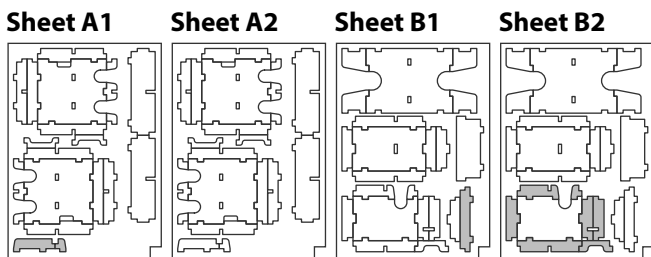
Ordinary PVA glue is required when assembling each tray.

Please make sure you dry-assemble each tray correctly before gluing it together.

The parts marked in grey in Sheets A1, B1 and B2 can be disposed of prior to assembly.

Please check www.foldedspace.com for general assembly tips.

FS-GWTSE



Tray 1a, 1b

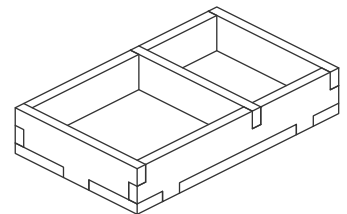
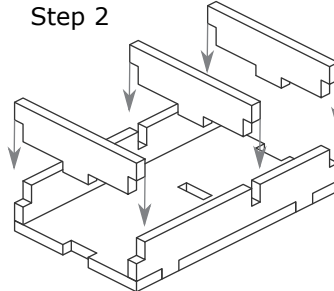
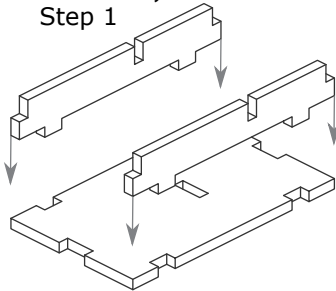
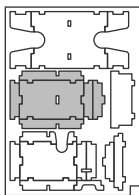
Sheet B1, B2

(the trays are identical)

Step 1

Step 2

Finished tray



Tray 2a, 2b

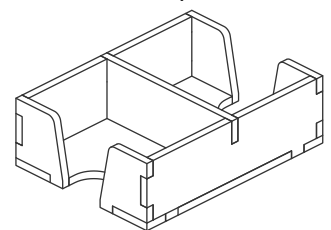
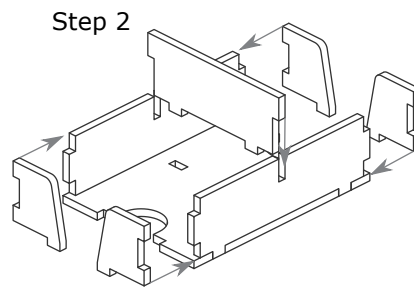
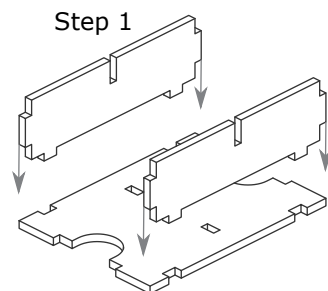
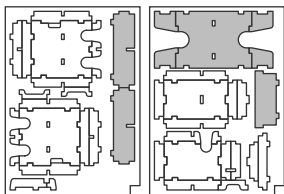
Sheet A1, A2 Sheet B1, B2

(the trays are identical)

Step 1

Step 2

Finished tray



Tray 3a, 3b, 3c, 3d

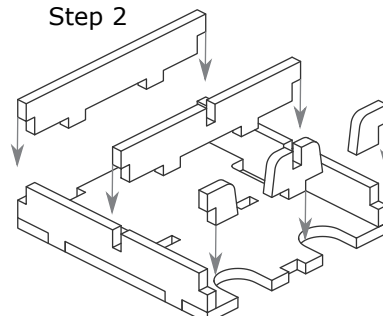
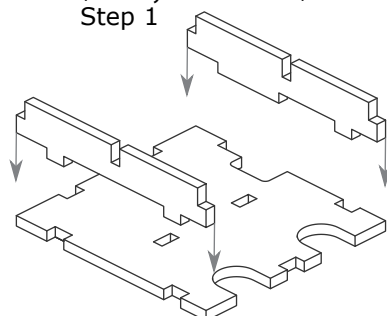
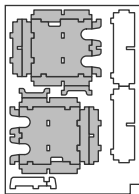
Sheet A1, A2

(the trays are identical)

Step 1

Step 2

P.T.O. for Step 3

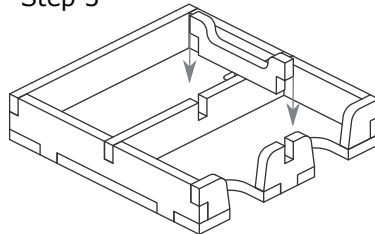


FS-GWTSE Insert compatible with

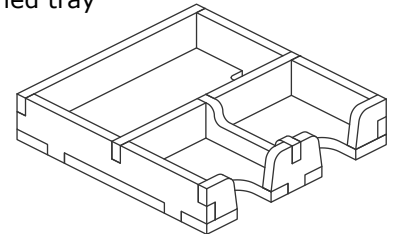


Great Western Trail® (II ed.), including the Rails to the North® (II ed.) expansion. Separately compatible with Great Western Trail: Argentina®

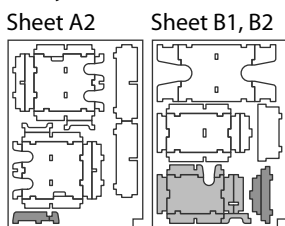
Step 3



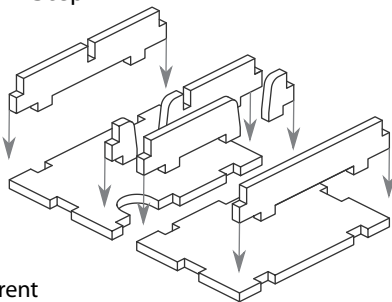
Finished tray



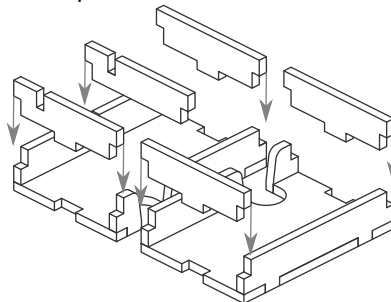
Tray 4a, 4b



Step 1

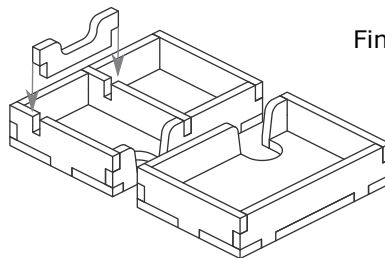


Step 2

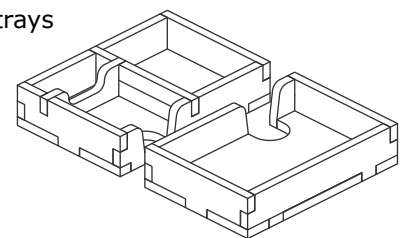


Note: Tray 4a and 4b have different heights, so please take care when dry building the trays.

Step 3

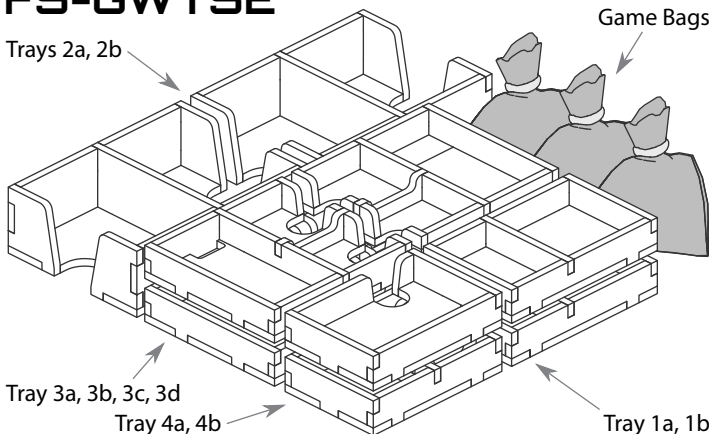


Finished trays



FS-GWTSE

Trays 2a, 2b



Please check www.foldedspace.com for photos of this insert in use.

Tray legend standard game:

- Tray 1a - exchange and medium town tiles
- Tray 1b - coins
- Tray 2a - player and market cattle cards
- Tray 2b - objective and solo mode cards
- Tray 3a, b, c, d - player pieces, incl. player count tiles
- Tray 4a - neutral buildings, station master, job market and specialization tiles
- Tray 4b - simmental cattle cards

Note: the worker, hazard and outlaw tiles are stored in the bags. Also note that the player count tiles are placed underneath the wooden player pieces in Trays 3.

Tray legend Argentina:

- Tray 1a - coins and exchange tiles
- Tray 1b - coins
- Tray 2a - player and market cattle cards
- Tray 2b - objective & exhaustion cards (in one tray slot), and ship tiles
- Tray 3a, b, c, d - player pieces
- Tray 4a - neutral buildings, station master, job market and specialization tiles
- Tray 4b - solo mode cards

Note: the worker and farmer tiles are stored in the bags.

Tip: Keep the instructions in the bottom of your board game box as a reminder of how the insert fits together.