

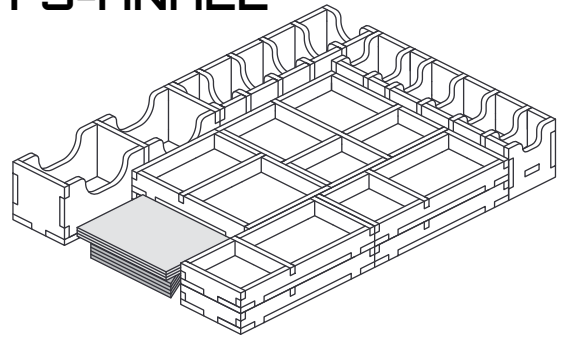
FS-ANAEE Insert compatible with Anachrony: Essential Edition®



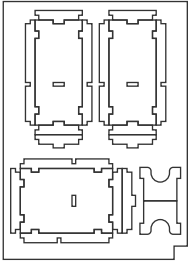
Assembly Instructions

The package contains 5 sheets: one double and three single sheets.
 After assembly the trays are put in up to two layers in the original game box.
 Ordinary PVA glue is required when assembling each tray.
 Please make sure you dry-assemble each tray correctly before gluing it together.
 Please check www.foldedspace.com for general assembly tips.

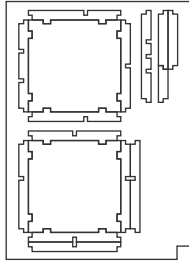
FS-ANAEE



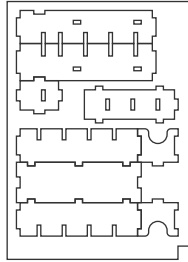
Sheet A1, A2



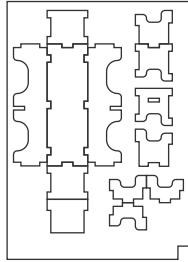
Sheet B



Sheet C

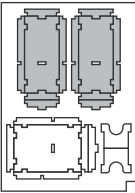


Sheet D

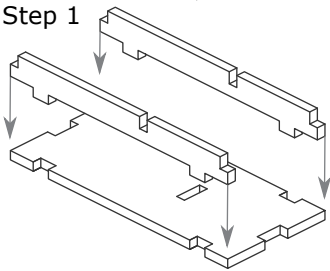


Tray 1a, 1b, 1c, 1d (the trays are identical)

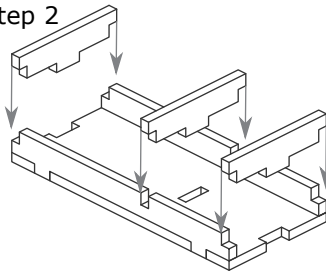
Sheet A1, A2



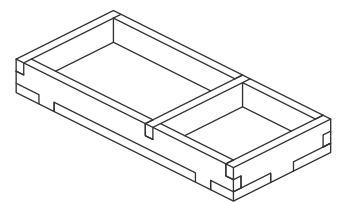
Step 1



Step 2

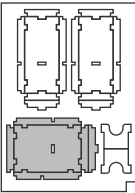


Finished tray

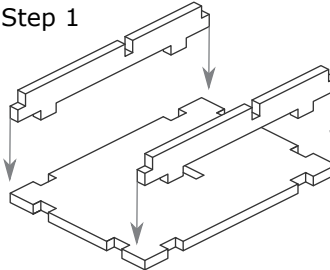


Tray 2a, 2b (the trays are identical)

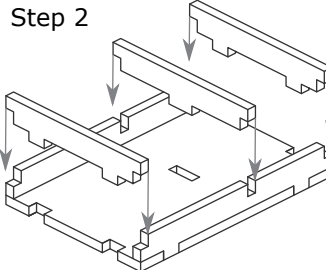
Sheet A1, A2



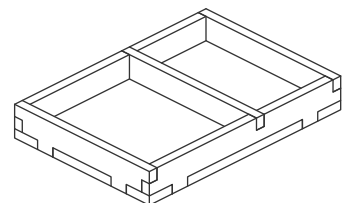
Step 1



Step 2

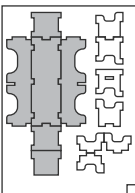


Finished tray

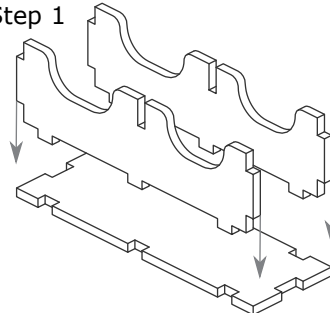


Tray 3

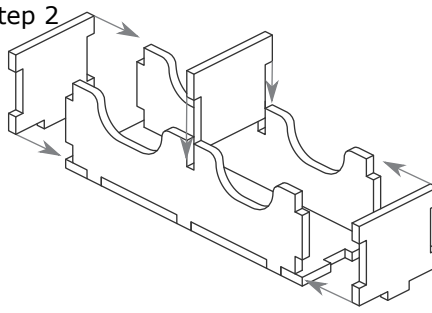
Sheet D



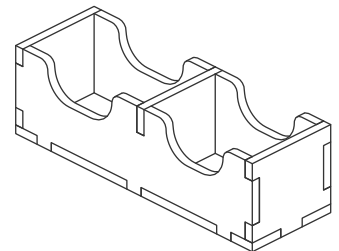
Step 1



Step 2

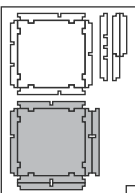


Finished tray

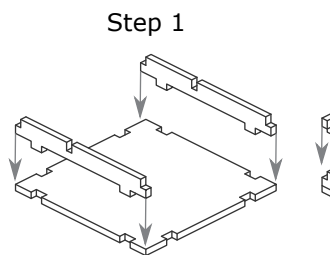


Tray 4

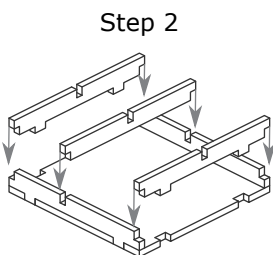
Sheet B



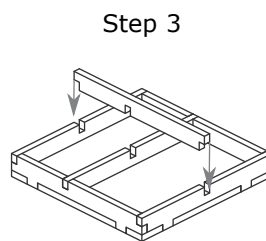
Step 1



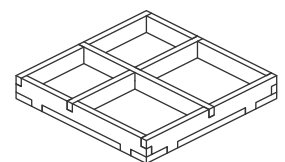
Step 2



Step 3



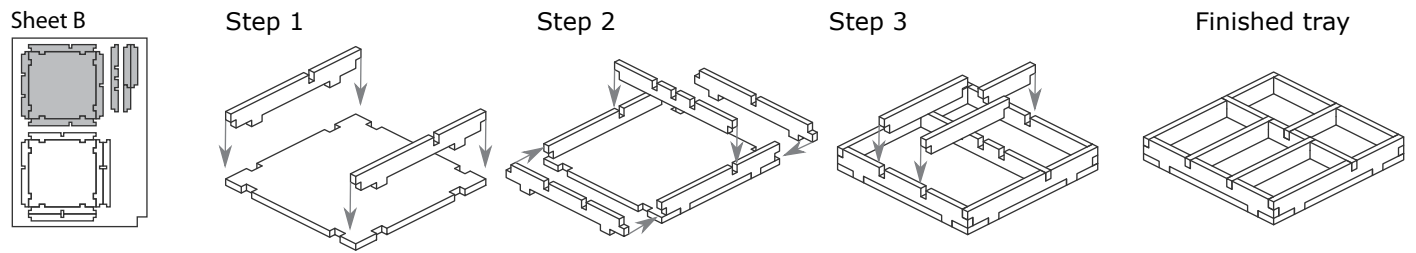
Finished tray



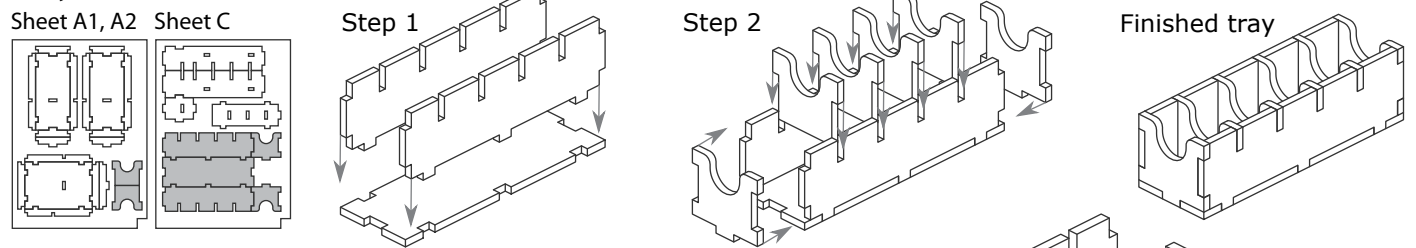
FS-ANAEE Insert compatible with Anachrony: Essential Edition®



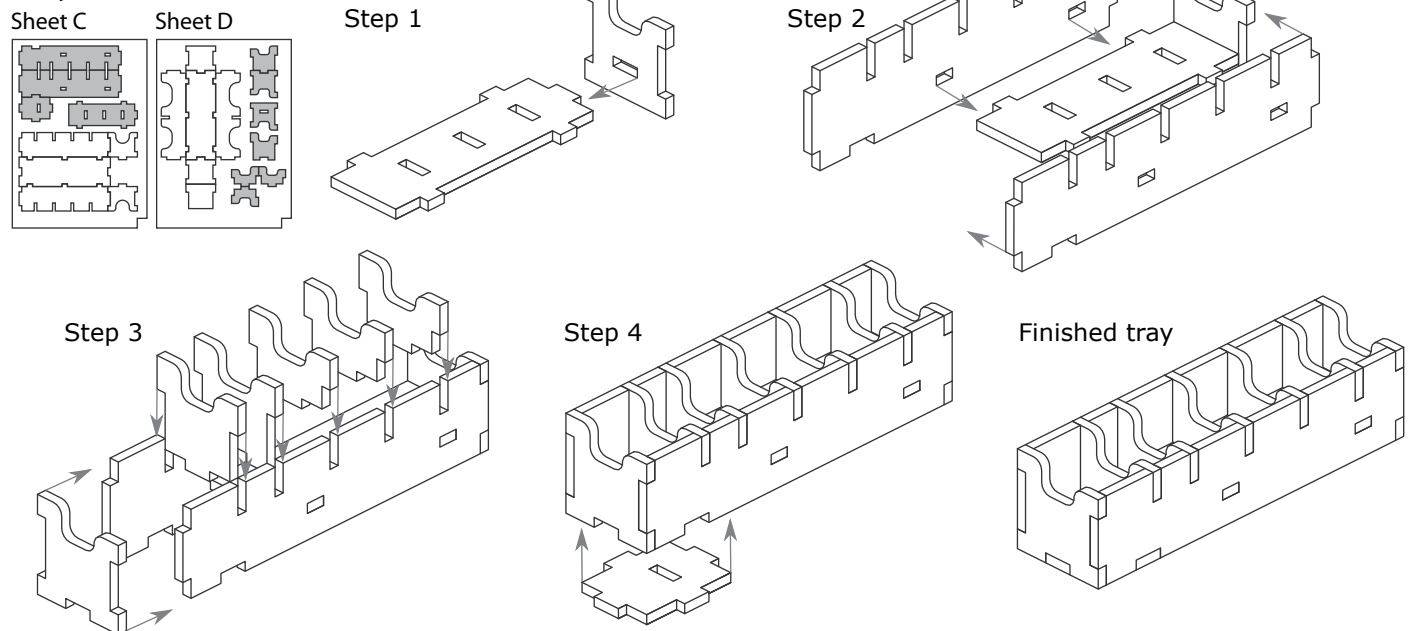
Tray 5



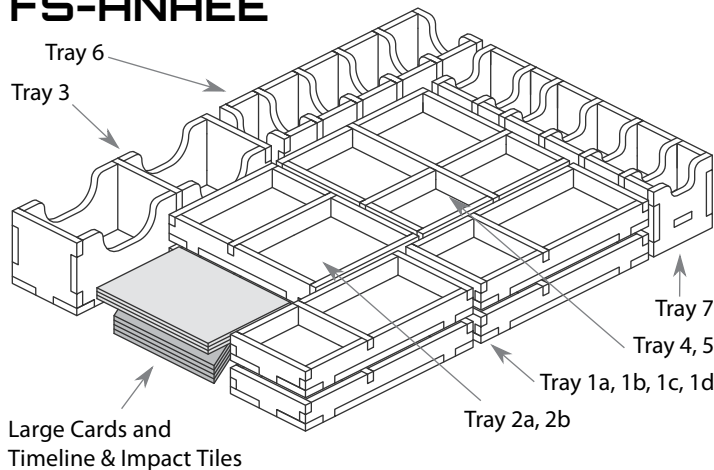
Tray 6



Tray 7



FS-ANAEE



Please check www.foldedspace.com for photos of this insert in use.

Tray legend:

- Tray 1a, b, c, d - player pieces
- Tray 2a - paradox and energy core tokens
- Tray 2b - victory point tokens
- Tray 3 - cards and superproject tiles
- Tray 4 - worker tiles
- Tray 5 - resource cubes and water tokens
- Tray 6 - building and anomaly tiles
- Tray 7 - dice and collapsing capital, hex unavailable, & breakthrough tiles