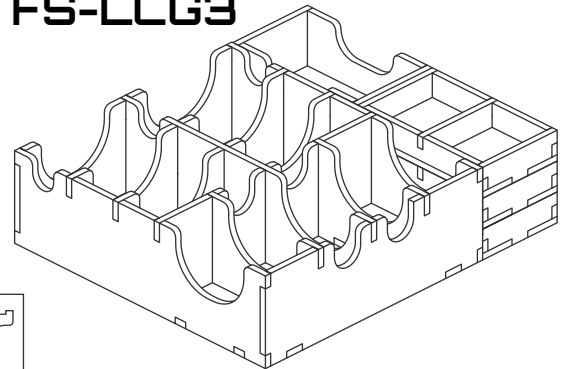


# FS-LCG3 Insert compatible with Living Card Games® with a box size of 25.4 x 29.2 x 7.6 cm

## Assembly Instructions

The package contains 4 sheets: one double and two single sheets.  
 After assembly the trays are put in up to three layers in the original game box.  
 Ordinary PVA glue is required when assembling each tray.  
 Please make sure you dry-assemble each tray correctly before gluing it together.  
 Please check [www.foldedspace.net](http://www.foldedspace.net) for general assembly tips.  
 The marked element in sheet A2 should be discarded.

### FS-LCG3

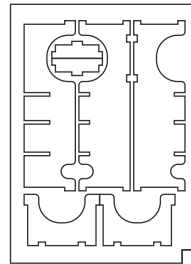
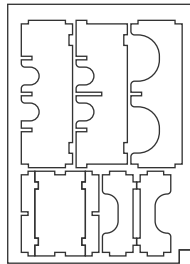
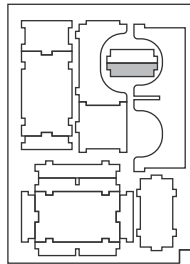
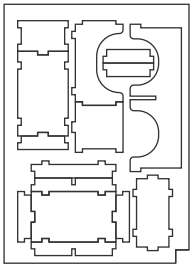


Sheet A1

Sheet A2

Sheet B

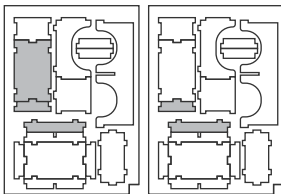
Sheet C



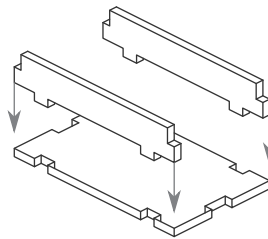
### Tray 1

Sheet A1

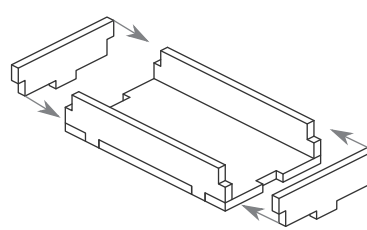
Sheet A2



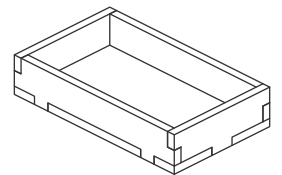
Step 1



Step 2



Finished tray



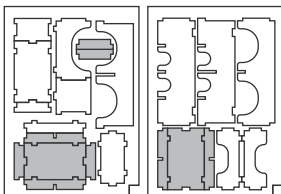
### Tray 2a, 2b, 2c

(the trays are identical)

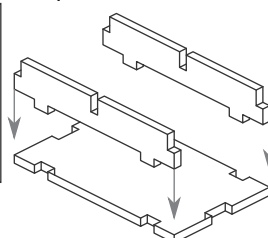
Sheet A1, A2

Sheet B

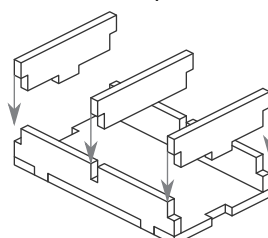
Sheet C



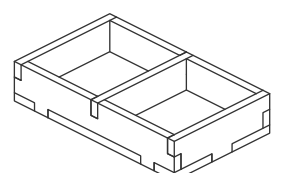
Step 1



Step 2



Finished tray

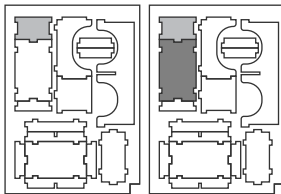


### Tray 3a (alternative to 3b, see p.2)

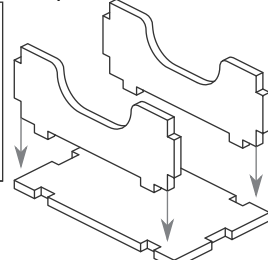
Sheet A1

Sheet A2

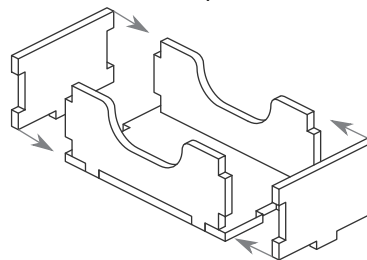
Sheet B



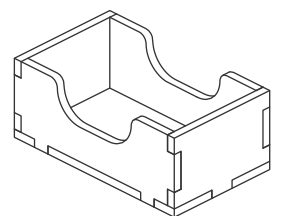
Step 1



Step 2



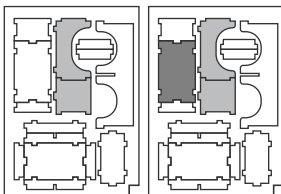
Finished tray



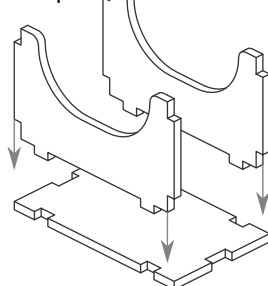
### Tray 3b (alternative to 3a, see p.2)

Sheet A1

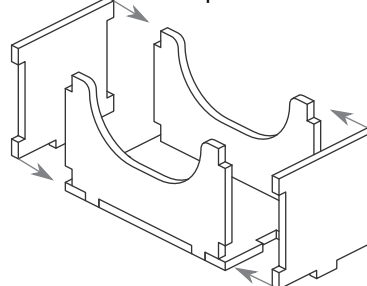
Sheet A2



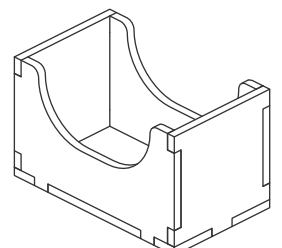
Step 1



Step 2



Finished tray

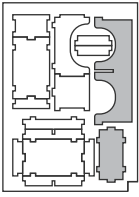


# FS-LCG3 Insert compatible with Living Card Games® with a box size of 25.4 x 29.2 x 7.6 cm

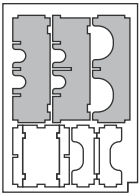


## Tray 4

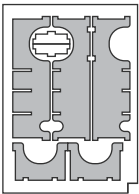
Sheet A1, A2



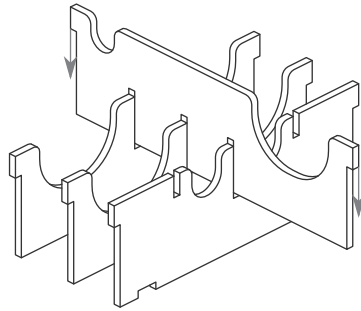
Sheet B



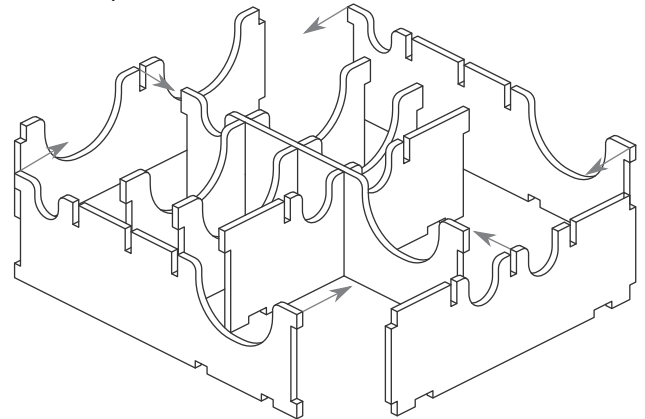
Sheet C



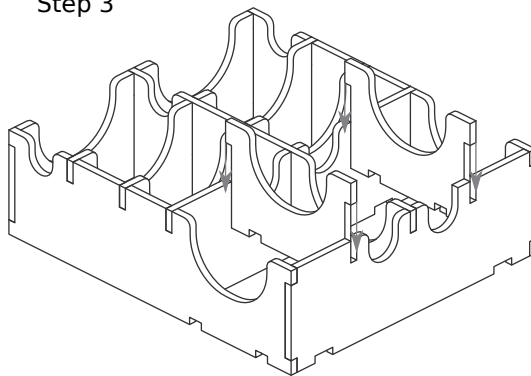
Step 1



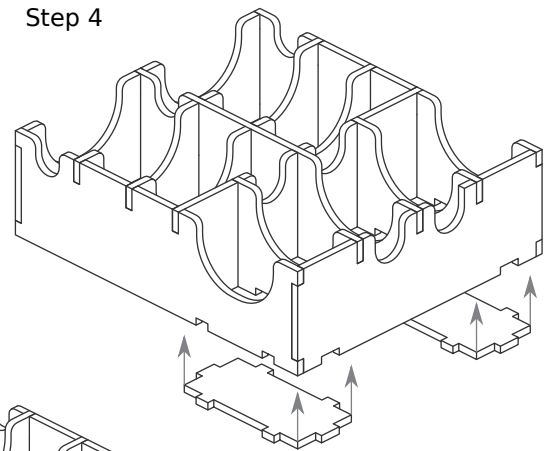
Step 2



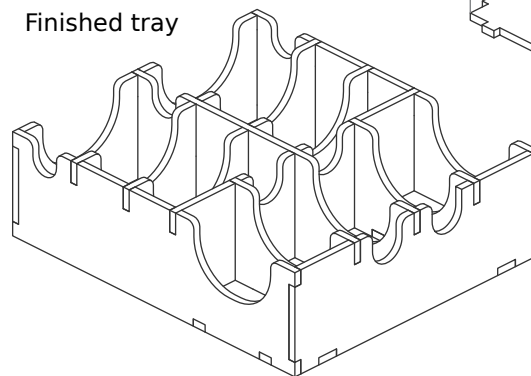
Step 3



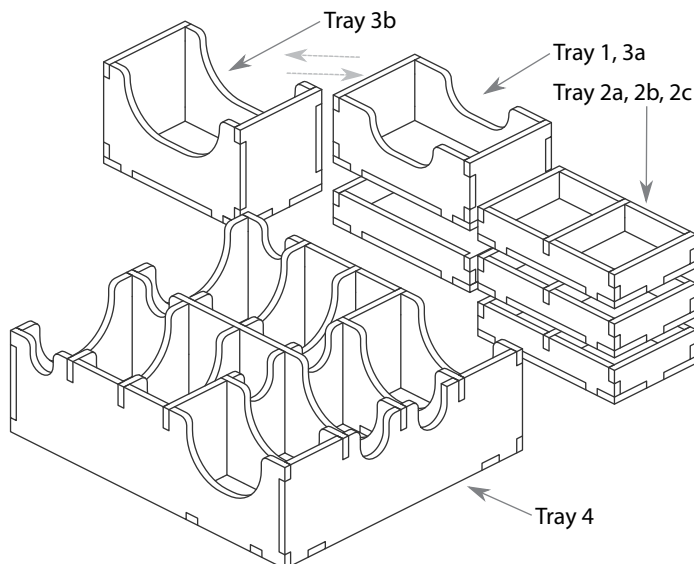
Step 4



Finished tray



## FS-LCG3



Please check [www.foldedspace.com](http://www.foldedspace.com) for photos of this insert in use.

### Tray legend:

- Tray 1 - tokens
- Tray 2a, b, c - small cards, resources and other counters
- Tray 3a - game dials or bag
- Tray 3b - card decks
- Tray 4 - card decks

Note: Note that Trays 1 & 2a, b, c are interchangeable, use as you see fit. Trays 1 and 3a can be swapped for Tray 3b in order to increase even further the amount of cards the insert can store. Decide prior to assembly which of the two variants you need.