

FS-ELD insert
compatible with Eldritch Horror®,
incl. single small box expansion

Assembly Instructions

FS-ELD

Notes:

The package contains 4 sheets, two of them are identical to the other two.

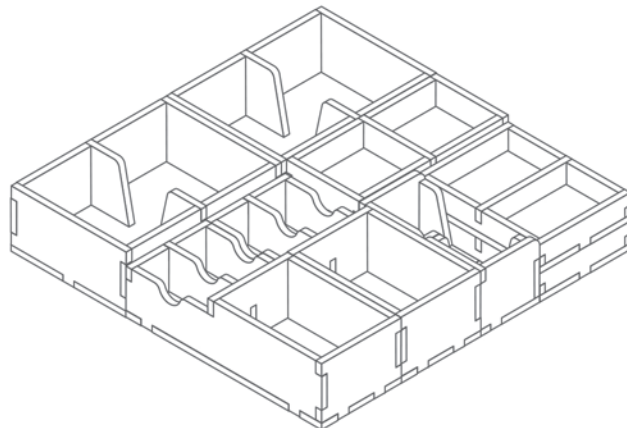
Each tray is doubled.

After assembly the trays are put in two layers in the original game box.

Ordinary PVA glue is required when assembling each tray, for extra strength.

Please make sure you dry-assemble each tray correctly before gluing it together.

Please check www.foldedspace.net for general assembly tips.

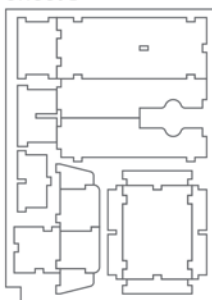
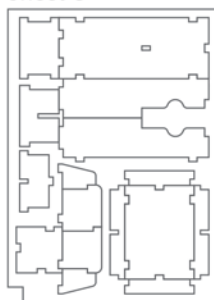
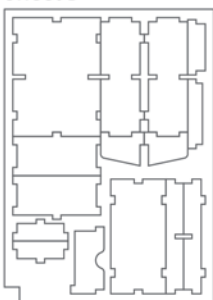
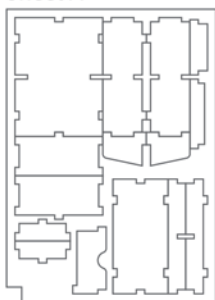


Sheet A

Sheet B

Sheet C

Sheet D



Tray 1a & 1b (the trays are identical)

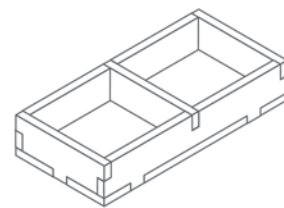
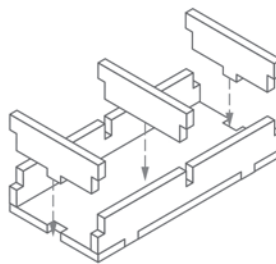
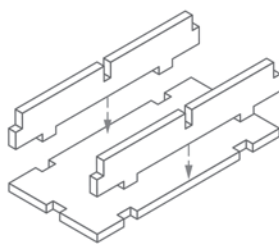
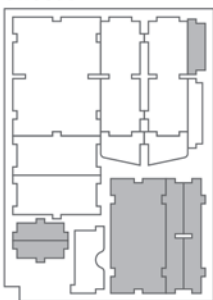
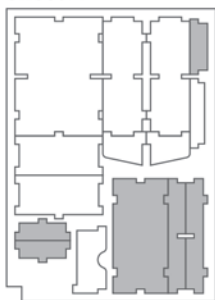
Sheet A

Sheet B

Step 1

Step 2

Finished tray



Tray 2a & 2b (the trays are identical)

Sheet A

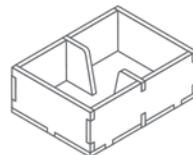
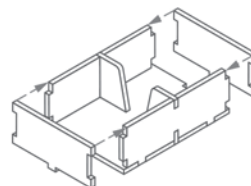
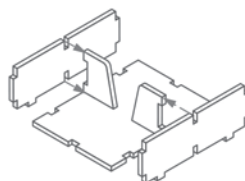
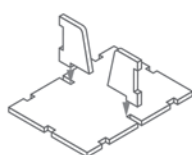
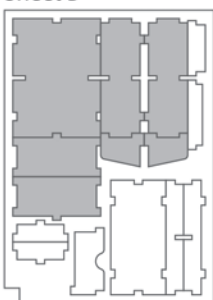
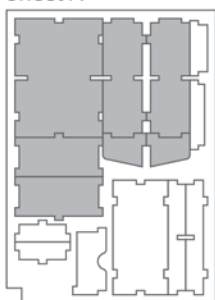
Sheet B

Step 1

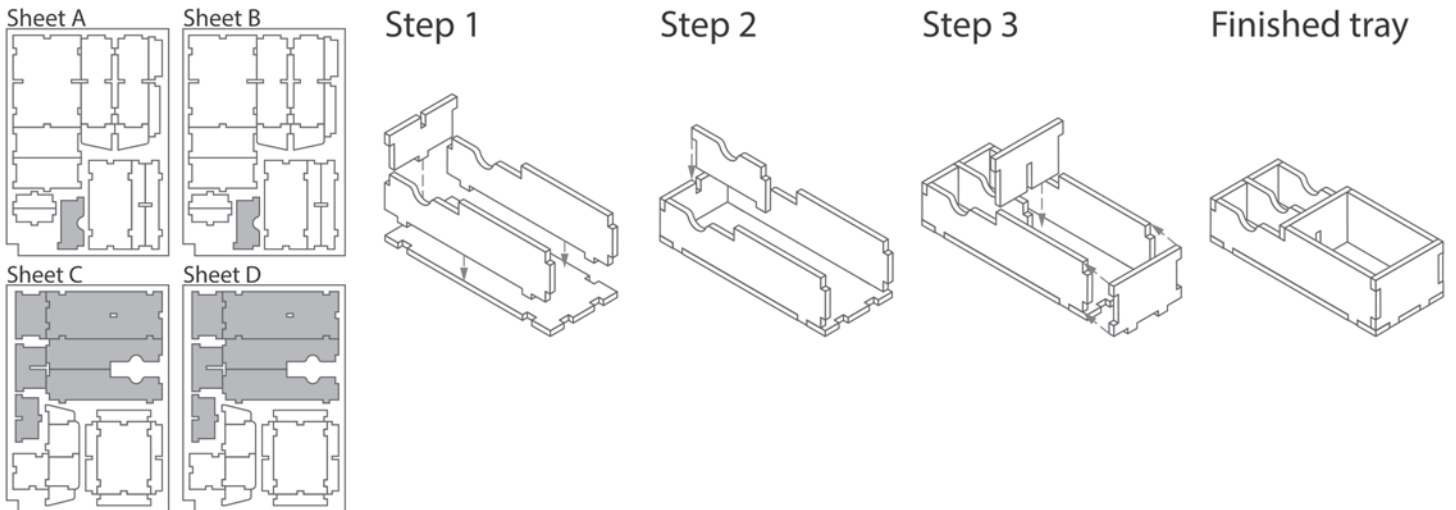
Step 2

Step 3

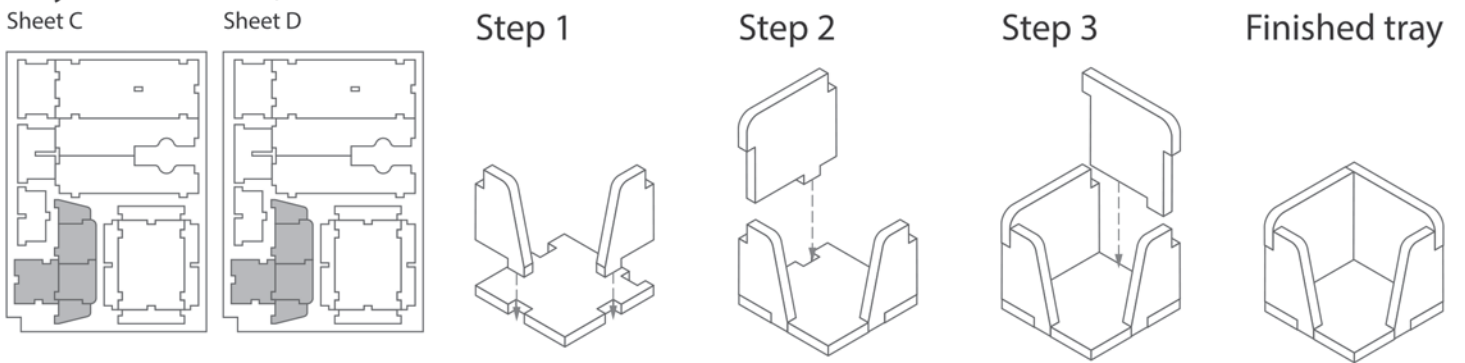
Finished tray



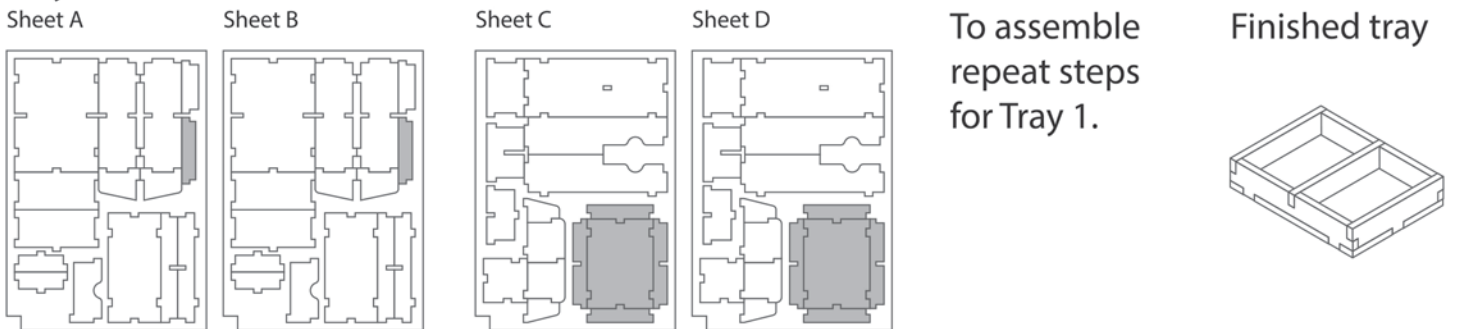
Tray 3a & 3b (the trays are identical)



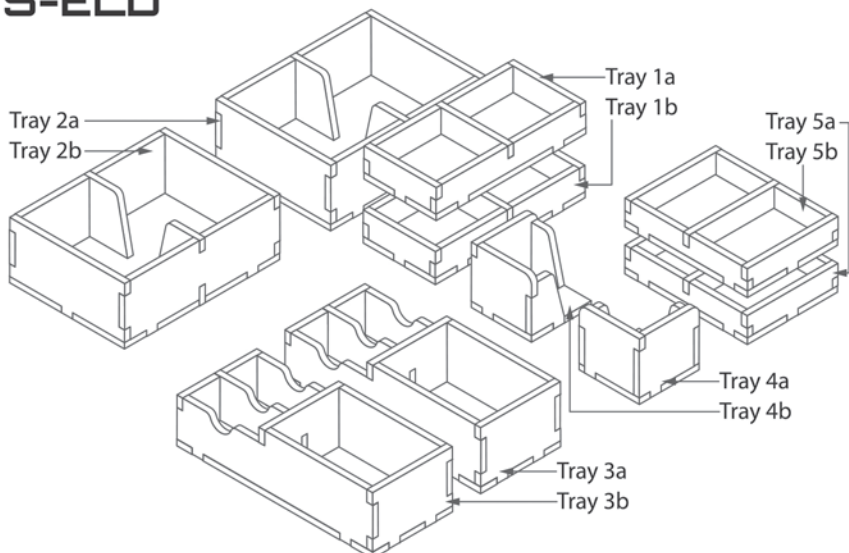
Tray 4a & 4b (the trays are identical)



Tray 5a & 5b (the trays are identical)



FS-ELD



Tray legend:

- Tray 1a - health, sanity
- Tray 1b - tickets, eldritch tokens
- Tray 2a - large cards
- Tray 2b - large cards
- Tray 3a - small cards, monster tokens
- Tray 3b - small cards, investigators
- Tray 4a - gates
- Tray 4b - epic monsters
- Tray 5a - dice, improvement tokens
- Tray 5b - clue and other tokens

Note: Investigator and ancient sheets act as a lid over trays 4 & 5.

Please check www.foldedspace.net for photos of this insert in use.