

## Assembly Instructions

### Notes:

The package contains 4 sheets, two of them are identical to the other two.

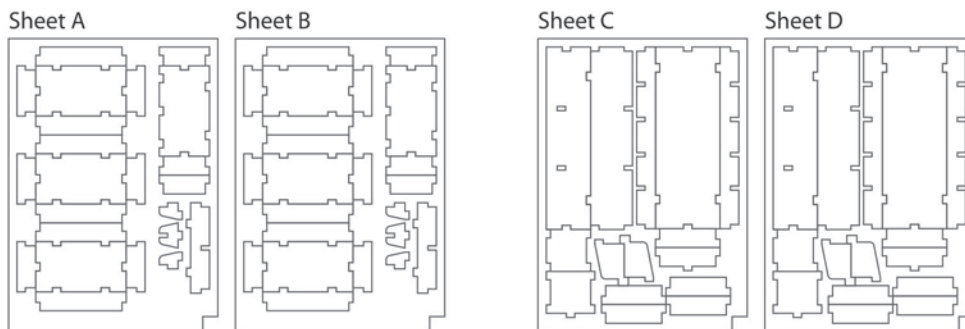
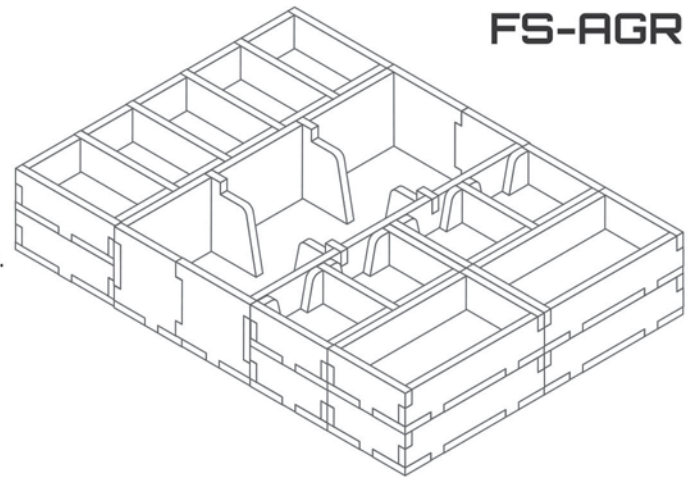
Each tray is doubled.

After assembly the trays are put in two layers in the original game box.

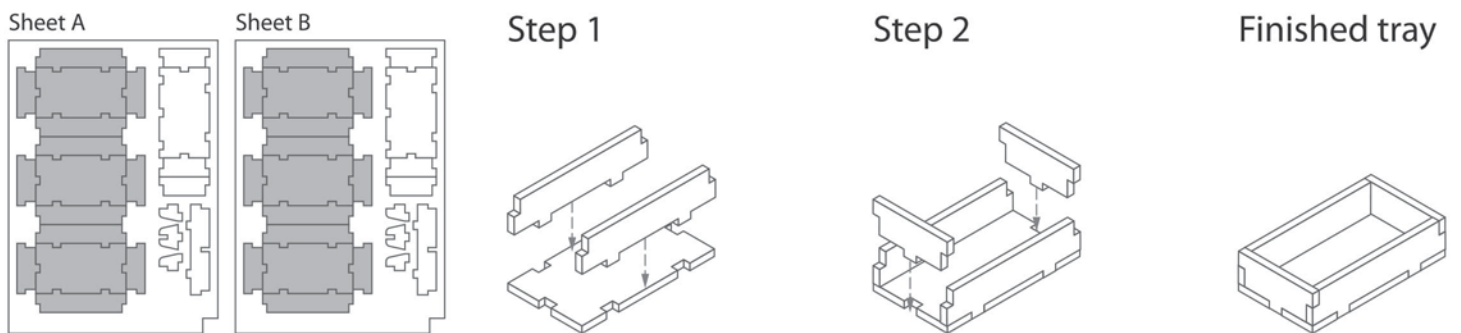
Ordinary PVA glue is required when assembling each tray, for extra strength.

Please make sure you dry-assemble each tray correctly before gluing it together.

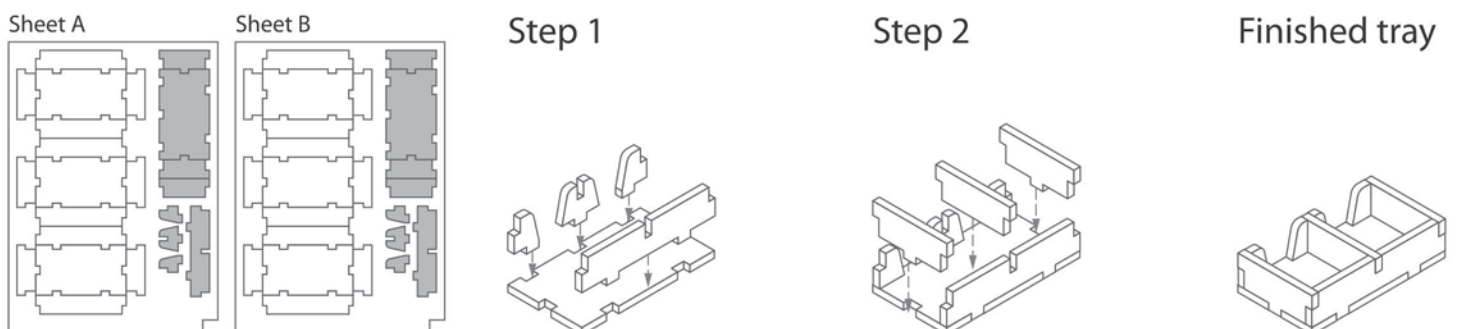
Please check [www.foldedspace.net](http://www.foldedspace.net) for general assembly tips.



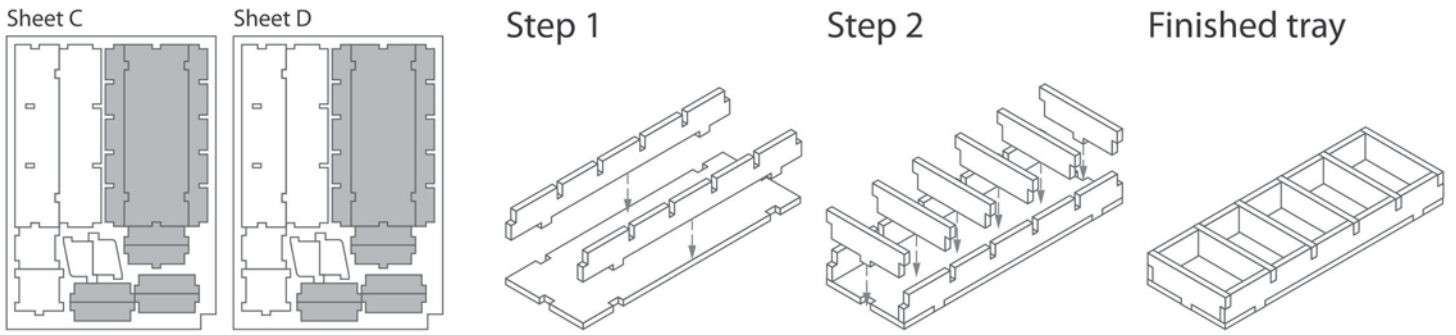
### Tray 1a, 1b, 1c, 1d, 1e & 1f (the trays are identical)



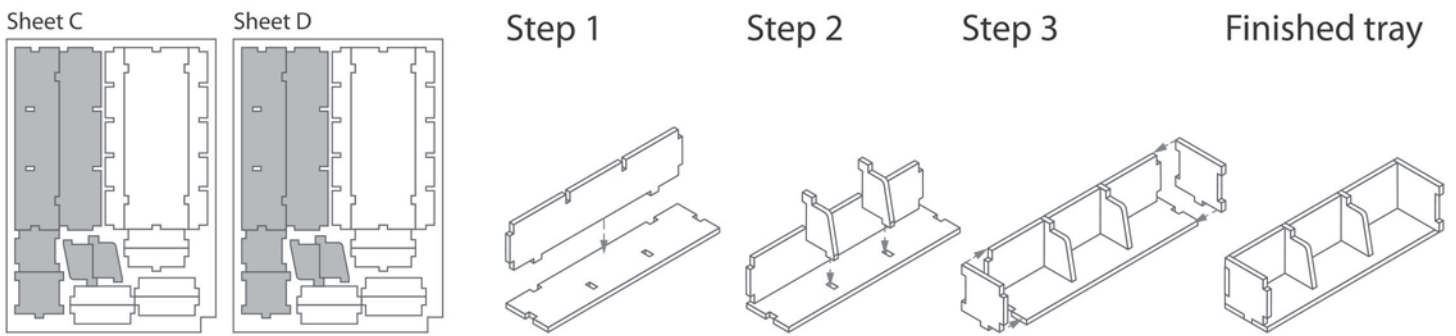
### Tray 2a & 2b (the trays are identical)



**Tray 3a & 3b** (the trays are identical)

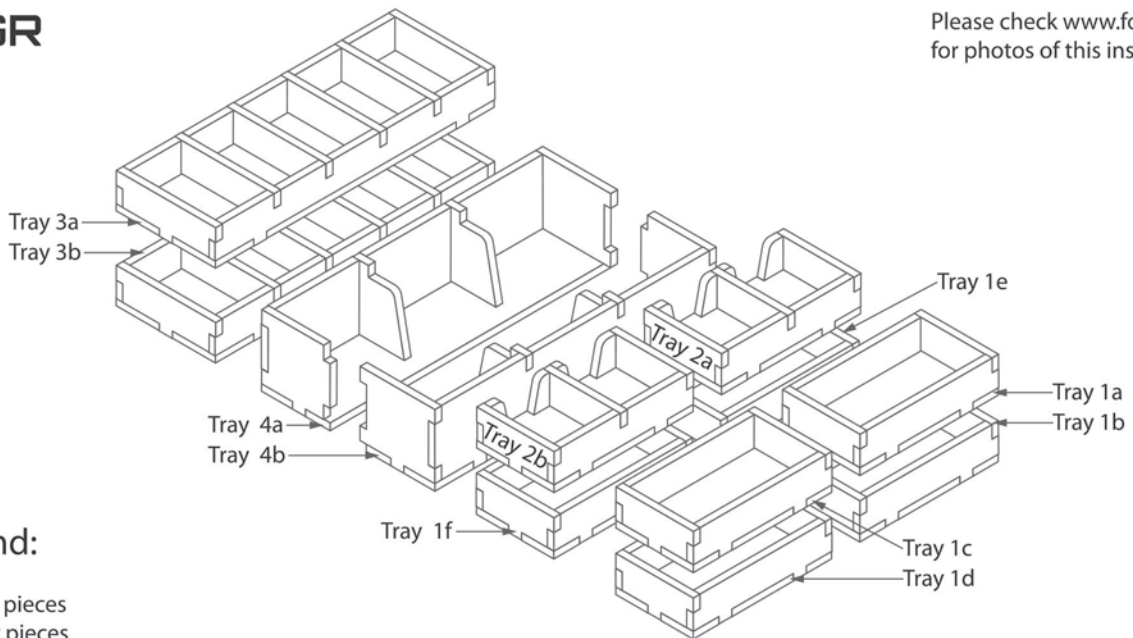


**Tray 4a & 4b** (the trays are identical)



**FS-AGR**

Please check [www.foldedspace.net](http://www.foldedspace.net) for photos of this insert in use.



**Tray legend:**

- Tray 1a - player pieces
- Tray 1b - player pieces
- Tray 1c - player pieces
- Tray 1d - player pieces
- Tray 1e - player pieces
- Tray 1f - other tokens
- Tray 2a - fields, wood rooms
- Tray 2b - clay, stone rooms
- Tray 3a - resource tokens
- Tray 3b - resource tokens
- Tray 4a - cards
- Tray 4b - cards

Note: Tray 4a and tray 4b are meant to be left in the game box and not taken out.